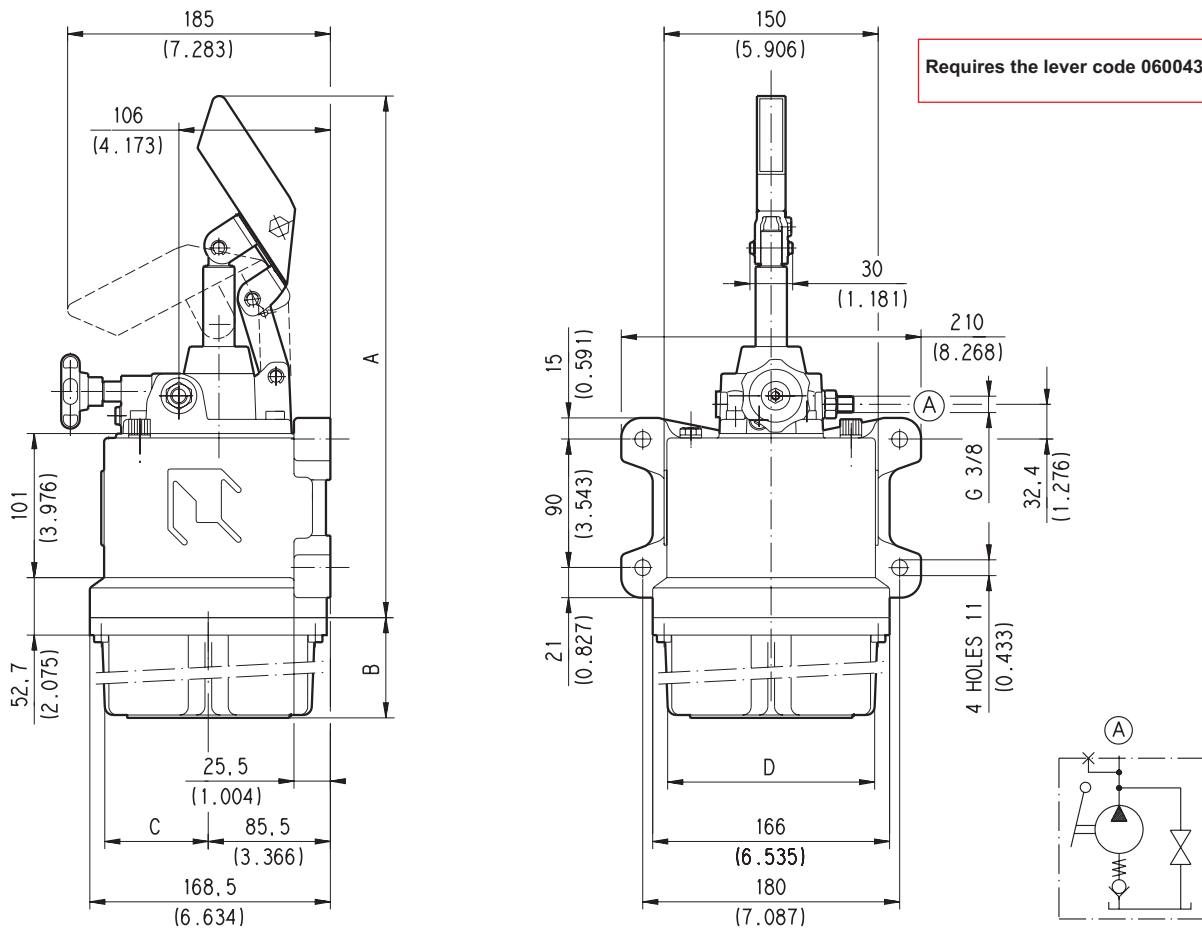


EP.. S/T..P - EP.. S V1/T..P

HAND PUMP WITH RESERVOIR 3-5-7-10 LITERS CAPACITY WITH BUILT-IN SHUT-OFF VALVE



D032-D23/1099

Replaces: 02/11.2002

How to order	Displacement [cm ³ /cycle]	Max. pressure [bar]	A mm (in)	Weight [kg]						
				T3P	T3A	T5P	T5A	T7P	T7A	T10P
EP 12..	12	315	350 (13.780)	6,00	6,80	6,20	7,50	6,50	8,70	7,30
EP 25..	25	250	360 (14.173)	6,00	6,80	6,20	7,50	6,50	8,70	7,30
EP 45..	45	220	368 (14.488)	6,30	7,10	6,50	7,80	6,80	9,00	7,60

Reservoir								
Capacity	3 [ℓ]		5 [ℓ]		7 [ℓ]		10 [ℓ]	
Material	Plastic	Aluminm	Plastic	Aluminm	Plastic	Aluminm	Plastic	
B	mm	70	72,5	174	185	290	322,5	275
	(in)	(2.756)	(2.854)	(6.850)	(7.284)	(11.417)	(12.697)	(10.827)
C	mm	72,25	67,5	72,25	67,5	72,25	67,5	112
	(in)	(2.844)	(2.658)	(2.844)	(2.658)	(2.844)	(2.658)	(4.409)
D	mm	144,5	135	144,5	135	144,5	135	208
	(in)	(5.689)	(5.315)	(5.689)	(5.315)	(5.689)	(5.315)	(8.189)

Hand pump with reservoir							
EP 12 S/...	T3P	T3A	T5P	T5A	T7P	T7A	T10P
EP 25 S/...	T3P	T3A	T5P	T5A	T7P	T7A	T10P
EP 45 S/...	T3P	T3A	T5P	T5A	T7P	T7A	T10P

Hand pump with reservoir and relief valve V1 (standard setting 140 [bar])							
EP 12 S V1/...	T3P	T3A	T5P	T5A	T7P	T7A	T10A
EP 25 S V1/...	T3P	T3A	T5P	T5A	T7P	T7A	T10A
EP 45 S V1/...	T3P	T3A	T5P	T5A	T7P	T7A	T10A

03/04.04