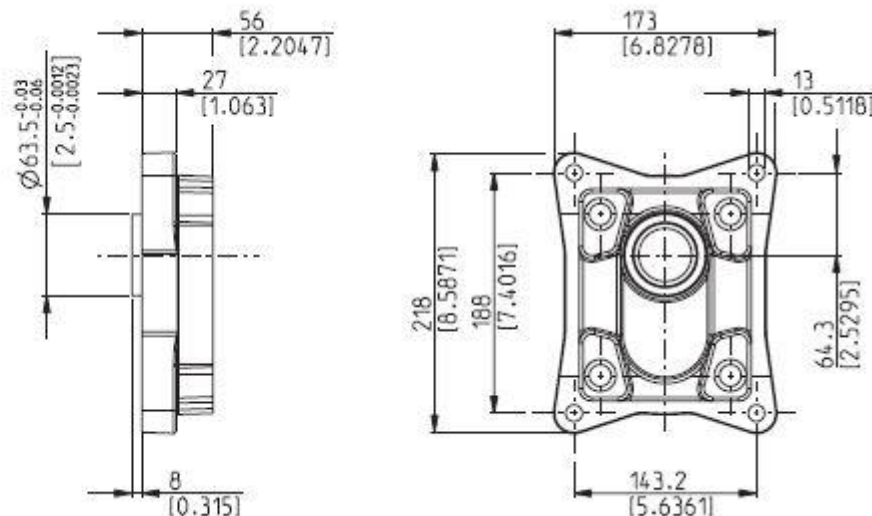


EUROPEAN

E5

DCAT_006_001_23263600



Pump type Motor type	Displacement in ³ /rev (cm ³ /rev)	Max. pressure			Max. speed	Min. speed
		P ₁	P ₂	P ₃		
		psi (bar)			min ⁻¹	

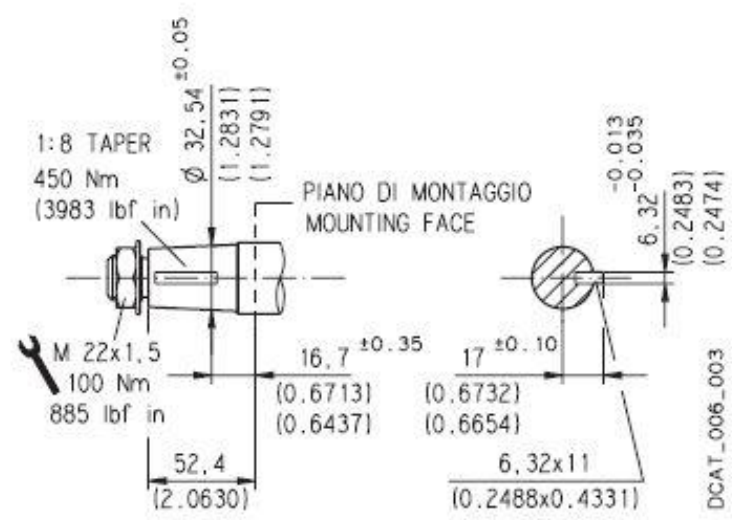
K. 40•63	3.75 (61,43)	4350 (300)	4568 (315)	4713 (325)	2800	300
K. 40•73	4.43 (72,6)	4350 (300)	4568 (315)	4713 (325)	2800	300
K. 40•87	5.28 (86,56)	4060 (280)	4278 (295)	4423 (305)	2800	300
K. 40•109	6.64 (108,9)	3625 (250)	3843 (265)	3988 (275)	2800	300
K. 40•121	7.43 (121,8)	3335 (230)	3553 (245)	3698 (255)	2500	300
K. 40•133	8.18 (134,03)	3190 (220)	3408 (235)	3553 (245)	2500	300
K. 40•151	9.20 (150,79)	2900 (200)	3118 (215)	3263 (225)	2500	300

EUROPEAN TAPERED 1:8 **85**

Not available with size:

40•63	40•151			
--------------	---------------	--	--	--

Mounting face refer to flange code **E5**



DCAT_006_003