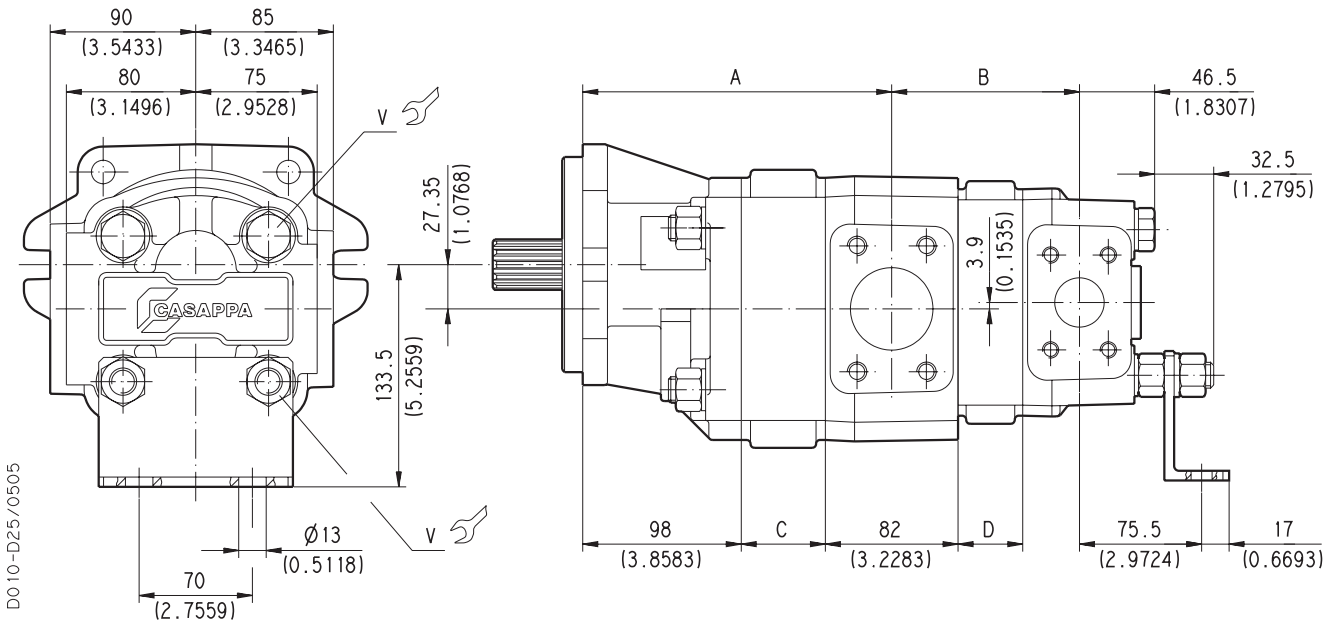


MULTIPLE PUMPS HDP35 / HDP30



Tightening torque Nm (lbf in)
V
280 ±28 (2230 ÷ 2726)

DRIVE SHAFTS:
see page 45

MOUNTING FLANGE:
see page 46 ÷ 48

PORTS:
see page 49

The drawing shows a pump with left rotation.

Pump type	A	B
	mm (inch)	mm (inch)
HDP 35/30	139+C (5.4724+C)	76+D (2.9921+D)

Pump type	C
	mm (inch)
HDP 35•40	33 (1.2992)
HDP 35•50	38 (1.4961)
HDP 35•63	44 (1.7323)
HDP 35•71	48 (1.8898)
HDP 35•80	52 (2.0472)
HDP 35•90	57 (2.2441)
HDP 35•100	61 (2.4016)
HDP 35•112	67 (2.6378)
HDP 35•125	73 (2.8740)

Pump type	D
	mm (inch)
HDP 30•17	23 (0.9055)
HDP 30•22	26 (1.0236)
HDP 30•24	27,3 (1.0748)
HDP 30•27	29 (1.1417)
HDP 30•34	34 (1.3386)
HDP 30•38	37 (1.4567)
HDP 30•43	40 (1.5748)
HD. 30•51	45 (1.7717)
HDP 30•56	48 (1.8898)
HDP 30•61	51 (2.0079)
HDP 30•73	59 (2.3228)
HDP 30•82	64 (2.5197)

01/07.05