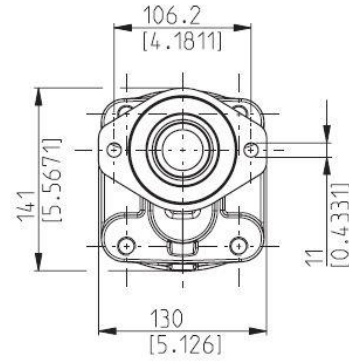
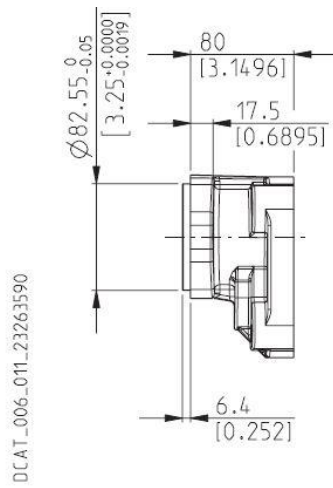


SAE "A" 2 HOLES

**S1**

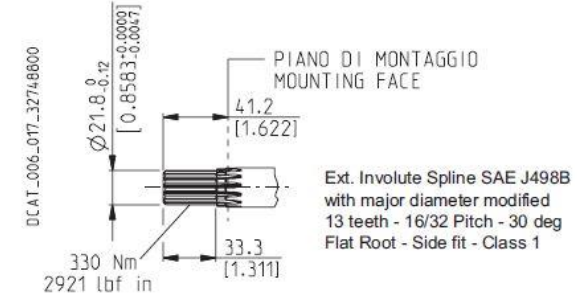
Conforms to SAE J744



SAE "B" SPLINE

04

Mounting face refer to flange code S5



Pump type HDP Motor type HDM	Displacement in <sup>3</sup> /rev (cm <sup>3</sup> /rev)	Max. pressure			Max. speed	Min. speed
		p <sub>1</sub>	p <sub>2</sub>	p <sub>3</sub>		
<b>HD. 30•17</b>	1.05 (17,28)	4060 (280)	4350 (300)	4640 (320)	3000	400
<b>HD. 30•22</b>	1.34 (21,99)	4060 (280)	4350 (300)	4640 (320)	3000	400
<b>HD. 30•24</b>	1.47 (24,03)	4060 (280)	4350 (300)	4640 (320)	3000	400
<b>HD. 30•27</b>	1.63 (26,70)	4060 (280)	4350 (300)	4640 (320)	3000	400
<b>HD. 30•34</b>	2.11 (34,56)	3915 (270)	4205 (290)	4495 (310)	3000	400
<b>HD. 30•38</b>	2.40 (39,27)	3915 (270)	4205 (290)	4495 (310)	3000	400
<b>HD. 30•43</b>	2.68 (43,98)	3770 (260)	4060 (280)	4350 (300)	3000	400
<b>HD. 30•51</b>	3.16 (51,83)	3335 (230)	3770 (260)	4060 (280)	2500	300
<b>HD. 30•56</b>	3.45 (56,55)	3118 (215)	3553 (245)	3843 (265)	2500	300
<b>HD. 30•61</b>	3.74 (61,26)	2900 (200)	3335 (230)	3625 (250)	2000	250
<b>HD. 30•73</b>	4.50 (73,82)	2755 (190)	3045 (210)	3335 (230)	1700	250
<b>HD. 30•82</b>	4.98 (81,68)	2465 (170)	2755 (190)	3045 (210)	1500	250

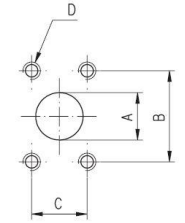
SAE FLANGED PORTS J518 - Standard pressure series 3000 PSI

SSM

Metric thread ISO 60° conforms to ISO/R 262

CODE	A	B	C	D	Nm (lbf in)	Nm (lbf in)
	mm (in)	mm (in)	mm (in)	Thread Depth mm (in)		
<b>MB</b>	19 (0.7480)	47,6 (1.8740)	22,2 (0.8740)	M 10 22 (0.8661)	20 <sup>+1</sup> (177 + 186)	35 <sup>+2,5</sup> (310 + 332)
<b>MC</b>	24,5 (0.9646)	52,4 (2.0630)	26,2 (1.0315)	M 10 22 (0.8661)	20 <sup>+1</sup> (177 + 186)	35 <sup>+2,5</sup> (310 + 332)
<b>MD</b>	30,5 (1.2008)	58,7 (2.3110)	30,2 (1.1890)	M 10 22 (0.8661)	20 <sup>+1</sup> (177 + 186)	35 <sup>+2,5</sup> (310 + 332)
<b>ME</b>	39,3 (1.5472)	69,8 (2.7480)	35,7 (1.4055)	M 12 27 (1.0630)	30 <sup>+2,5</sup> (266 + 288)	65 <sup>+5</sup> (575 + 620)
<b>MF</b>	51 (2.0079)	77,8 (3.0630)	42,9 (1.6890)	M 12 27 (1.0630)	30 <sup>+2,5</sup> (266 + 288)	—

DO 10-D 15 / 0405



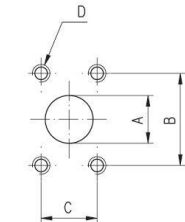
SAE FLANGED PORTS J518 - Standard pressure series 3000 PSI

SSS

American straight thread UNC-UNF 60° conforms to ANSI B 1.1

CODE	A	B	C	D	Nm (lbf in)	Nm (lbf in)
	mm (in)	mm (in)	mm (in)	Thread Depth mm (in)		
<b>SB</b>	19 (0.7480)	47,6 (1.8740)	22,2 (0.8740)	3/8 - 16 UNC-2B 22 (0.8661)	20 <sup>+1</sup> (177 + 186)	30 <sup>+2,5</sup> (266 + 288)
<b>SC</b>	24,5 (0.9646)	52,4 (2.0630)	26,2 (1.0315)	3/8 - 16 UNC-2B 22 (0.8661)	20 <sup>+1</sup> (177 + 186)	30 <sup>+2,5</sup> (266 + 288)
<b>SD</b>	30,5 (1.2008)	58,7 (2.3110)	30,2 (1.1890)	7/16 - 14 UNC-2B 28,5 (1.1220) 7/16 - 14 UNC-2B 27 (1.0630) (◆)	25 <sup>+1</sup> (221 + 230)	55 <sup>+5</sup> (487 + 531)
<b>SE</b>	39,3 (1.5472)	69,8 (2.7480)	35,7 (1.4055)	1/2 - 13 UNC-2B 27 (1.0630)	30 <sup>+2,5</sup> (266 + 288)	70 <sup>+5</sup> (620 + 664)
<b>SF</b>	51 (2.0079)	77,8 (3.0630)	42,9 (1.6890)	1/2 - 13 UNC-2B 27 (1.0630)	30 <sup>+2,5</sup> (266 + 288)	—

DO 10-D 15 / 0405



(◆) For MAGNUM 35