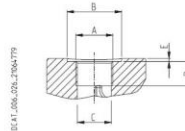


CODE	Nominal size	A	Ø B		D	E	Nm (lbf in)	Nm (lbf in)
			mm (in)	mm (in)				
OD	3/4"	1 1/16" - 12 UNF - 2B	42 (1.6535)	24.8 (0.9764)	20 (0.7874)	0.5 (0.0197)	40 ^{+2.5} (354 + 376)	120 ⁺¹⁰ (1062 + 1151)
OF	1"	1 5/16" - 12 UNF - 2B	50 (1.9685) 45 (◆) (1.7717)	30.5 (1.2008)	20 (0.7874)	0.5 (0.0197)	60 ⁺⁵ (531 + 575)	170 ⁺¹⁰ (1505 + 1593)
OG	1" 1/4	1 5/8" - 12 UNF - 2B	60 (2.3622) 58 (◆) (2.2835)	39.1 (1.5394)	20 (0.7874)	0.5 (0.0197)	70 ⁺⁵ (620 + 664)	200 ⁺¹⁰ (1770 + 1859)
OH	1" 1/2	1 7/8" - 12 UNF - 2B	65 (2.5591)	45.2 (1.7795)	20 (0.7874)	0.5 (0.0197)	100 ⁺⁵ (885 + 929)	—

(◆) = For MAGNUM 35



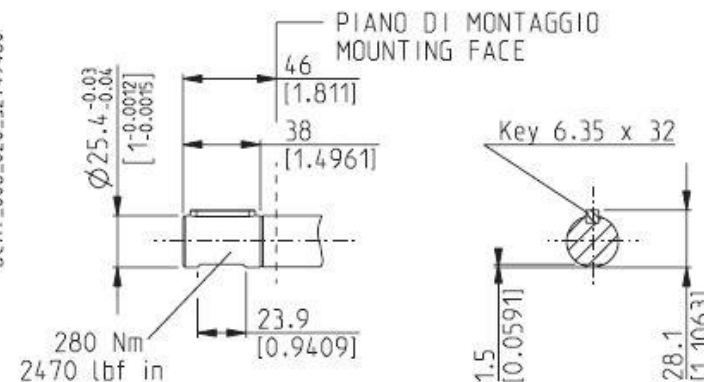
CODE	Nominal size	A	Ø B		D	E	Nm (lbf in)	Nm (lbf in)
			mm (in)	mm (in)				
GC (◆)	3/8"	G 3/8	25 (0.9843)	15 (0.5906)	14 (0.5512)	4 (0.1575)	15 ⁺¹ (133 + 142)	—
GE	3/4"	G 3/4	—	24.5 (0.9646)	22 (0.8661)	—	30 ^{+2.5} (266 + 288)	90 ⁺⁵ (797 + 841)
GF	1"	G 1	—	30.5 (1.2008)	25 (0.9843)	—	50 ^{+2.5} (443 + 465)	130 ⁺¹⁰ (1151 + 1239)
GG	1" 1/4	G 1 1/4	—	39 (1.5354)	26 (1.0236)	—	60 ⁺⁵ (531 + 575)	170 ⁺¹⁰ (1505 + 1593)
GH	1" 1/2	G 1 1/2	—	45 (1.5354)	28 (1.1024)	—	70 ⁺⁵ (620 + 664)	210 ⁺¹⁰ (1859 + 1947)
GL	2"	G 2	—	57 (2.2441)	32 (1.2598)	—	150 ⁺¹⁰ (1328 + 1416)	—

(◆) = Drain port

SAE "BB" STRAIGHT

Mounting face refer to flange code S5

DCAT_006_020_327149460



Pump type HDP Motor type HDM	Displacement in ³ /rev (cm ³ /rev)	Max. pressure			Max. speed	Min. speed
		p ₁	p ₂	p ₃		
HD. 30-17	1.05 (17.28)	4060 (280)	4350 (300)	4640 (320)	3000	400
HD. 30-22	1.34 (21.99)	4060 (280)	4350 (300)	4640 (320)	3000	400
HD. 30-24	1.47 (24.03)	4060 (280)	4350 (300)	4640 (320)	3000	400
HD. 30-27	1.63 (26.70)	4060 (280)	4350 (300)	4640 (320)	3000	400
HD. 30-34	2.11 (34.56)	3915 (270)	4205 (290)	4495 (310)	3000	400
HD. 30-38	2.40 (39.27)	3915 (270)	4205 (290)	4495 (310)	3000	400
HD. 30-43	2.68 (43.98)	3770 (260)	4060 (280)	4350 (300)	3000	400
HD. 30-51	3.16 (51.83)	3335 (230)	3770 (260)	4060 (280)	2500	300
HD. 30-56	3.45 (56.55)	3118 (215)	3553 (245)	3843 (265)	2500	300
HD. 30-61	3.74 (61.26)	2900 (200)	3335 (230)	3625 (250)	2000	250
HD. 30-73	4.50 (73.82)	2755 (190)	3045 (210)	3335 (230)	1700	250
HD. 30-82	4.98 (81.68)	2465 (170)	2755 (190)	3045 (210)	1500	250

SAE "B" 2-4 HOLES

S3

Conforms to SAE J744

DCAT_006_009_23263607

