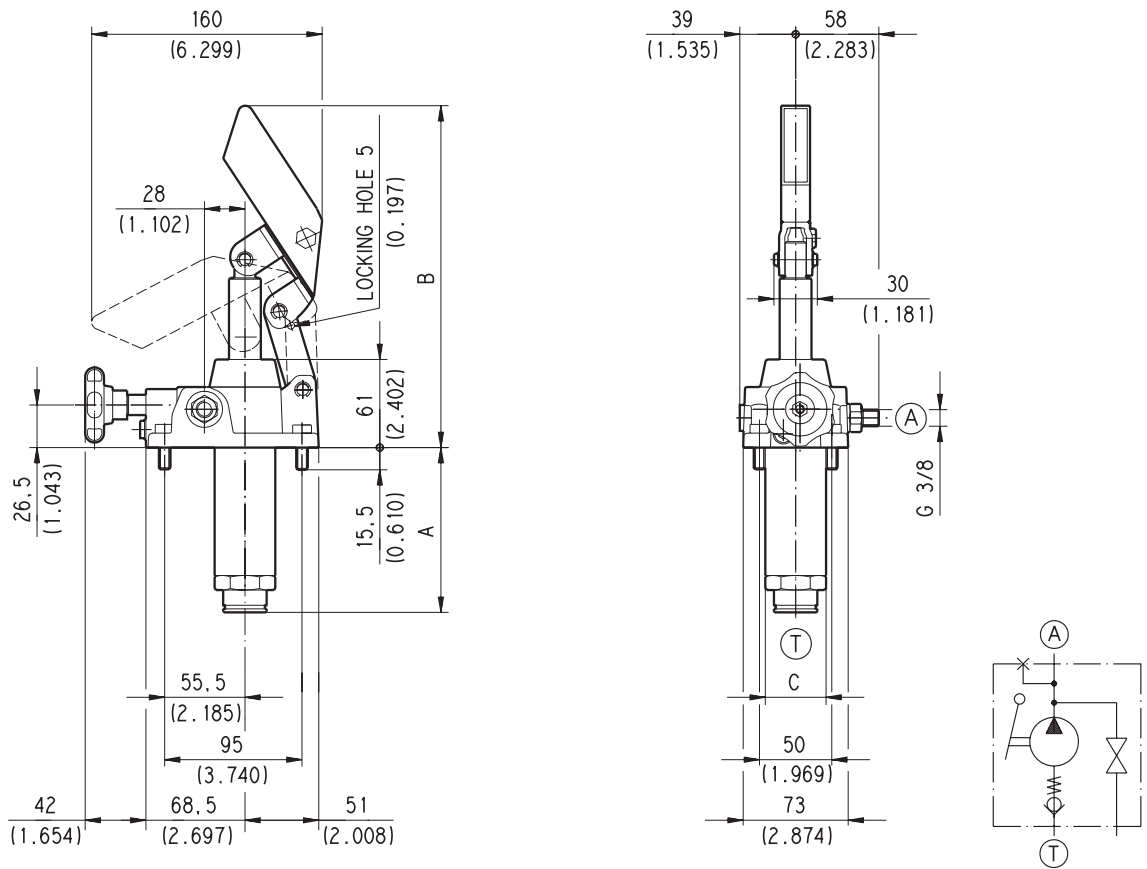


EP.. S - EP.. S V1

PUMPING GROUP WITH BUILT-IN SHUT-OFF VALVE

Replaces: 01/02.2000

D032-D15/1099



Requires the lever code 06004390

How to order	Displacement	Max. pressure	A	B	C	Weight
	[cm ³ /cycle]	[bar]	mm (in)	mm (in)	mm (in)	kg
EP 12 S	12	315	110 (4.331)	219 (8.622)	35 (1.378)	3,40
EP 25 S	25	250	110 (4.331)	229 (9.016)	35 (1.378)	3,40
EP 45 S	45	220	114 (4.488)	237 (9.331)	42 (1.654)	3,70

02/11.2000

Pumping group with relief valve built-in - V1 standard setting 140 [bar]

How to order		
EP 12 S V1		
EP 25 S V1		
EP 45 S V1		
V1	Relief valve setting	0-140 [bar]
V2		70-315 [bar]
V3(...)	On request relief valve setting	V3 (... [bar]) max. 315 [bar]