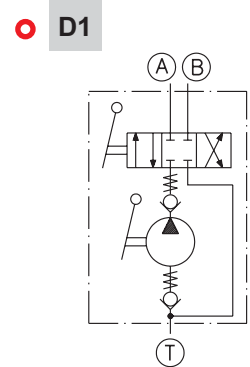
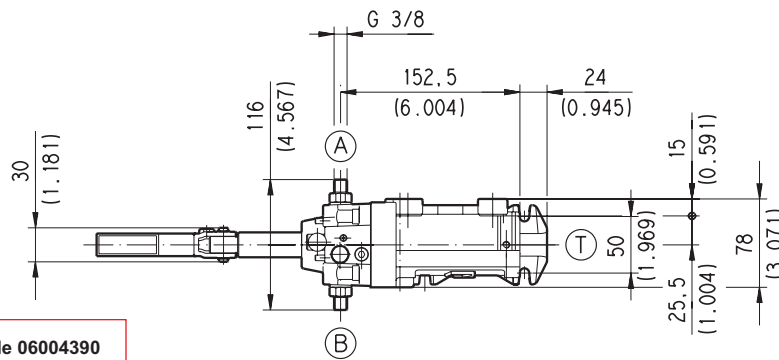
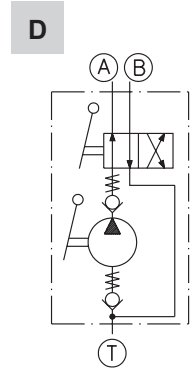
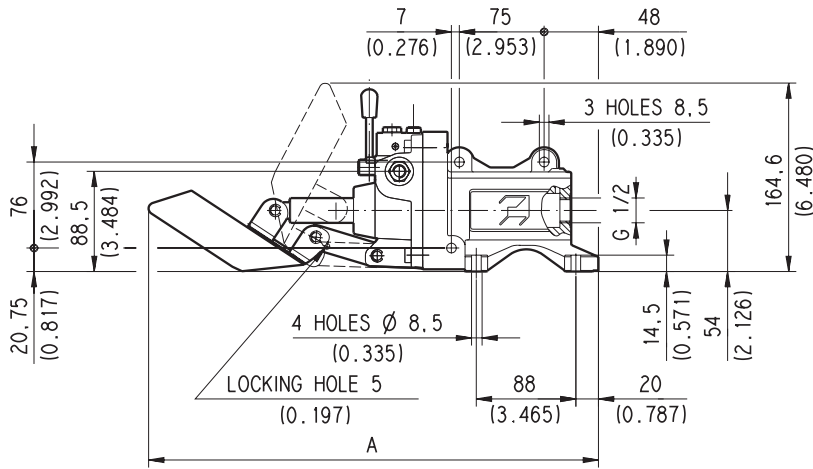


Replaces: 02/11.2000

**HAND PUMP WITHOUT RESERVOIR WITH BUILT-IN 4 WAY CONTROL VALVE**  
**EP.. D/T0A - EP.. D V1/T0A**  
 Available version L (Ⓐ plugged)



Requires the lever code 06004390

How to order	Displacement	Max. pressure	A	Weight
	[cm <sup>3</sup> /cycle]	[bar]	mm (in)	[kg]
<b>EP 12 (◆) /T0A</b>	12	315	375 (14.764)	4,80
<b>EP 25 (◆) /T0A</b>	25	250	385 (15.157)	4,80
<b>EP 45 (◆) /T0A</b>	45	220	393 (15.472)	5,10

03/04.04

Hand pump with relief valve built-in - V1 standard setting 140 [bar]

How to order	D	D1	Relief valve setting
<b>EP 12 (◆) V1/T0A</b>			0-140 [bar]
<b>EP 25 (◆) V1/T0A</b>			70-315 [bar]
<b>EP 45 (◆) V1/T0A</b>			V3 (... [bar]) max. 315 [bar]
<b>V1</b>			0-140 [bar]
<b>V2</b>			70-315 [bar]
<b>V3(...)</b>	On request relief valve setting		V3 (... [bar]) max. 315 [bar]

(◆) D= 4 way and 2 positions control valve - D1= 4 Way and 3 positions control valve