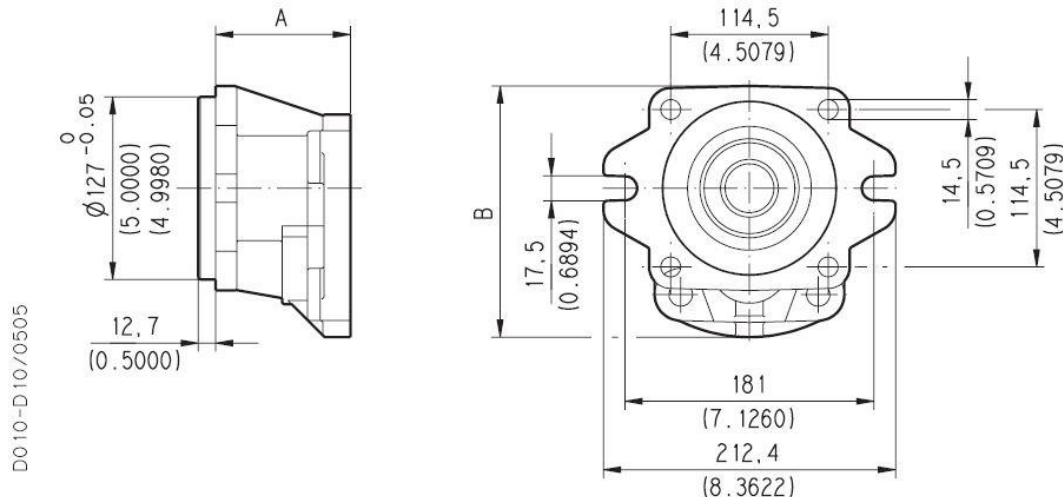


SAE "C" 2-4 HOLES

S8

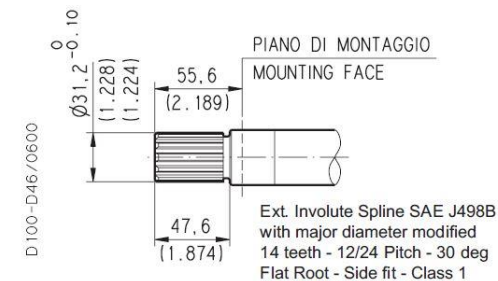
Conforms to SAE J744



SAE "C" SPLINE

06

Mounting face refer to flange code S8



HD. 30 **MAX 170 Nm (1505 lbf in) ♦**

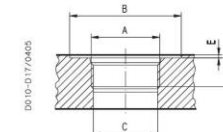
HD. 35 **MAX 900 Nm (7966 lbf in) ♦**

Pump type HDP Motor type HDM	Displacement in ³ /rev (cm ³ /rev)	Max. pressure			Max. speed min ⁻¹	Min. speed
		p ₁	p ₂	p ₃		
		psi (bar)				
HD. 35•40	2.47 (40,46)	3915 (270)	4060 (280)	4495 (310)	3000	400
HD. 35•50	3.12 (51,10)	3915 (270)	4060 (280)	4495 (310)	3000	400
HD. 35•63	3.90 (63,88)	3915 (270)	4060 (280)	4495 (310)	3000	400
HD. 35•71	4.42 (72,40)	3625 (250)	4060 (280)	4350 (300)	3000	400
HD. 35•80	4.94 (80,91)	3625 (250)	4060 (280)	4350 (300)	3000	400
HD. 35•90	5.59 (91,56)	3335 (230)	3770 (260)	4060 (280)	2700	400
HD. 35•100	6.10 (100,08)	3045 (210)	3480 (240)	3770 (260)	2700	400
HD. 35•112	6.88 (112,85)	2755 (190)	3190 (220)	3480 (240)	2700	400
HD. 35•125	7.66 (125,63)	2465 (170)	2900 (200)	3190 (220)	2500	250

SAE STRAIGHT THREAD PORTS J514

ODT

American straight thread UNC-UNF 60° conforms to ANSI B 1.1



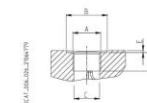
CODE	Nominal size	A	Ø B	Ø C	D	E	Nm (lbf in)	Nm (lbf in)
			mm (in)	mm (in)	mm (in)	mm (in)		
OD	3/4"	1 1/16" - 12 UNF - 2B	42 (1.6535)	24,8 (0.9764)	20 (0.7874)	0,5 (0.0197)	40 ^{25,5} (354 + 376)	120 ¹¹⁰ (1062 + 1151)
OF	1"	1 5/16" - 12 UNF - 2B	50 (1.9685) 45 (♦) (1.7717)	30,5 (1.2008)	20 (0.7874)	0,5 (0.0197)	60 ¹⁵ (531 + 575)	170 ¹¹⁰ (1505 + 1593)
OG	1" 1/4	1 5/8" - 12 UNF - 2B	60 (2.3622) 58 (♦) (2.2835)	39,1 (1.5394)	20 (0.7874)	0,5 (0.0197)	70 ¹⁵ (620 + 664)	200 ¹¹⁰ (1770 + 1859)
OH	1" 1/2	1 7/8" - 12 UNF - 2B	65 (2.5591)	45,2 (1.7795)	20 (0.7874)	0,5 (0.0197)	100 ¹⁵ (885 + 929)	—

(♦) = For MAGNUM 35

BSPP

GAS STRAIGHT THREAD PORTS

British standard pipe parallel (55°) conforms to UNI - ISO 228



CODE	Nominal size	A	Ø B	Ø C	D	E	Nm (lbf in)	Nm (lbf in)
			mm (in)	mm (in)	mm (in)	mm (in)		
GC (♦)	3/8"	G 3/8	15 (0.5943)	14 (0.5512)	4 (0.1575)	15 ¹⁵ (133 + 142)	—	—
GE	3/4"	G 3/4	24,5 (0.9646)	22 (0.8661)	—	30 ^{25,5} (266 + 288)	90 ²⁵ (797 + 841)	—
GF	1"	G 1	30,5 (1.2008)	25 (0.9843)	—	50 ^{25,5} (443 + 465)	130 ¹¹⁰ (1151 + 1239)	—
GG	1" 1/4	G 1 1/4	39 (1.5354)	26 (1.0236)	—	60 ¹⁵ (531 + 575)	170 ¹¹⁰ (1505 + 1593)	—
GH	1" 1/2	G 1 1/2	45 (1.5354)	28 (1.1024)	—	70 ¹⁵ (620 + 664)	210 ¹¹⁰ (1859 + 1947)	—
GL	2"	G 2	57 (2.2441)	32 (1.2598)	—	150 ¹¹⁰ (1328 + 1416)	—	—

(♦) = Drain port