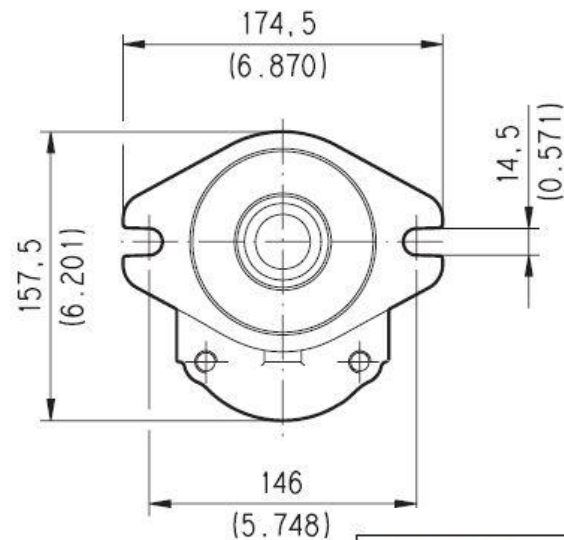
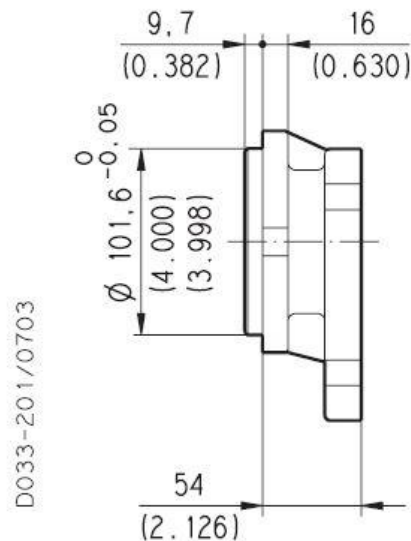


SAE "B" 2 BOLTS

S5

Material: cast iron



SAE "B" SPLINE

04

Mounting face refer to flange code **S5**

Series	Pump type PLP Motor type PLM	Displacement in ³ /rev (cm ³ /rev)	Max. pressure			Max. speed	Min. speed
			p ₁	p ₂	p ₃		
			psi (bar)				

POLARIS 30	PL. 30•22	1.34 (21,99)	3625 (250)	3915 (270)	4060 (280)	3000	350
	PL. 30•27	1.63 (26,70)	3625 (250)	3915 (270)	4060 (280)	3000	350
	PL. 30•34	2.11 (34,55)	3480 (240)	3770 (260)	3915 (270)	3000	350
	PL. 30•38	2.40 (39,27)	3480 (240)	3770 (260)	3915 (270)	3000	350
	PL. 30•43	2.68 (43,98)	3335 (230)	3625 (250)	3770 (260)	3000	350
	PL. 30•51	3.16 (51,83)	3045 (210)	3335 (230)	3480 (240)	2500	350
	PL. 30•61	3.74 (61,26)	2755 (190)	3045 (210)	3190 (220)	2500	350
	PL. 30•73	4.50 (73,82)	2465 (170)	2755 (190)	2900 (200)	2500	350
	PL. 30•82	4.98 (81,68)	2320 (160)	2465 (170)	2610 (180)	2200	350
	PL. 30•90	5.56 (91,10)	2175 (150)	2320 (160)	2465 (170)	2200	350

