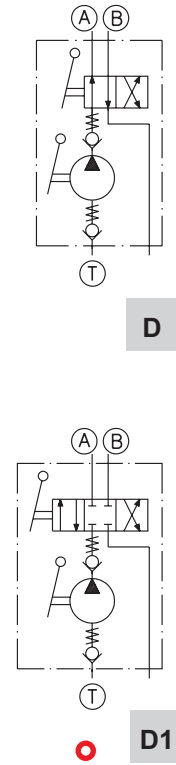
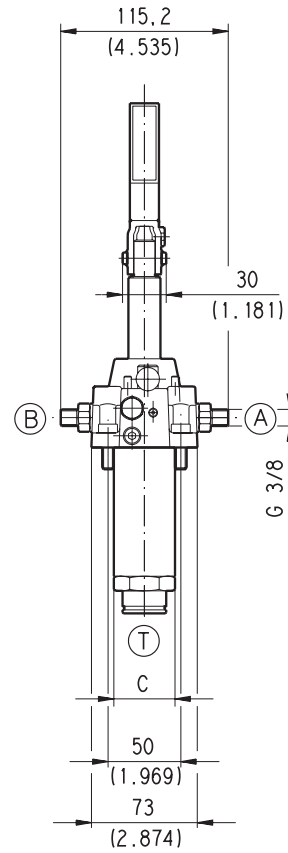
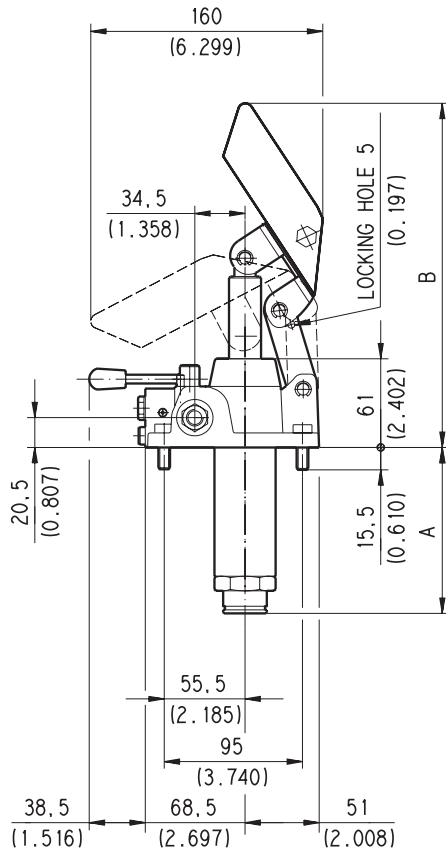


EP.. D ..

PUMPING GROUP WITH BUILT-IN 4 WAY CONTROL VALVE



D032-D16/1002

Requires the lever code 06004390

Replaces: 02/11.2000

How to order	Displacement	Max. pressure	A	B	C	Weight
	[cm <sup>3</sup> /cycle]	[bar]	mm (in)	mm (in)	mm (in)	[kg]
<b>EP 12 (◆)</b>	12	315	110 (4.331)	219 (8.622)	35 (1.378)	3,50
<b>EP 25 (◆)</b>	25	250	110 (4.331)	229 (9.016)	35 (1.378)	3,50
<b>EP 45 (◆)</b>	45	220	114 (4.488)	237 (9.331)	42 (1.654)	3,80

Pumping group with relief valve built-in - V1 standard setting 140 [bar]		
How to order	D	D1
<b>EP 12 (◆) V1</b>		
<b>EP 25 (◆) V1</b>		
<b>EP 45 (◆) V1</b>		
<b>V1</b>	Relief valve setting	
<b>V2</b>	0-140 [bar]	
<b>V3(...)</b>	70-315 [bar]	
	On request relief valve setting	
	V3 (... [bar]) max. 315 [bar]	

(◆) D= 4 way and 2 positions control valve - D1= 4 Way and 3 positions control valve

03/04.04