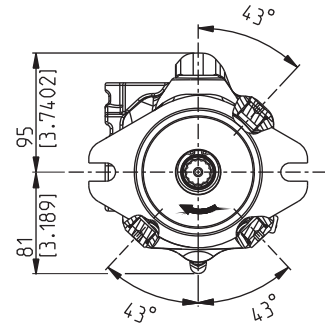
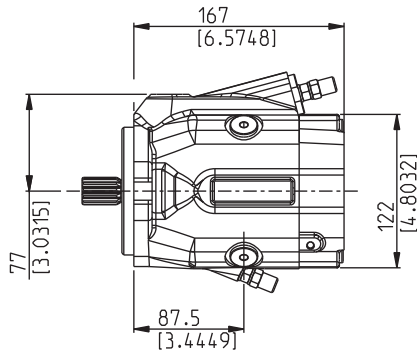
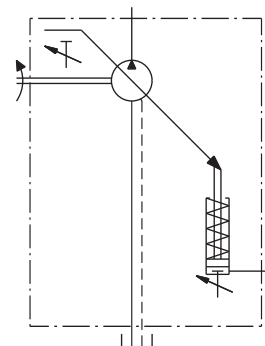
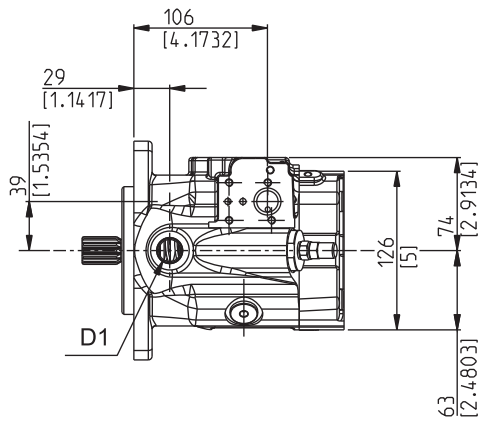
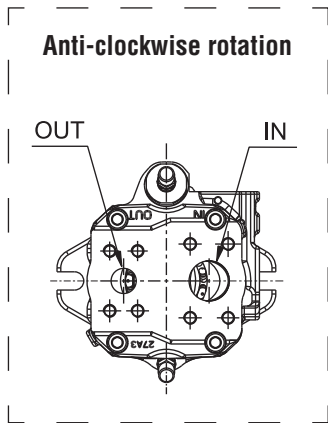


DCAT_048_047



Drive shafts: page 21
Mounting flanges: page 21



Screws tightening torque Nm (lbf in)

V
70 ^{±7} (558 ÷ 682)

Ports (Nominal size)

IN	OUT	D1
1" 1/4	3/4"	Drain port

Dimensions at page 32