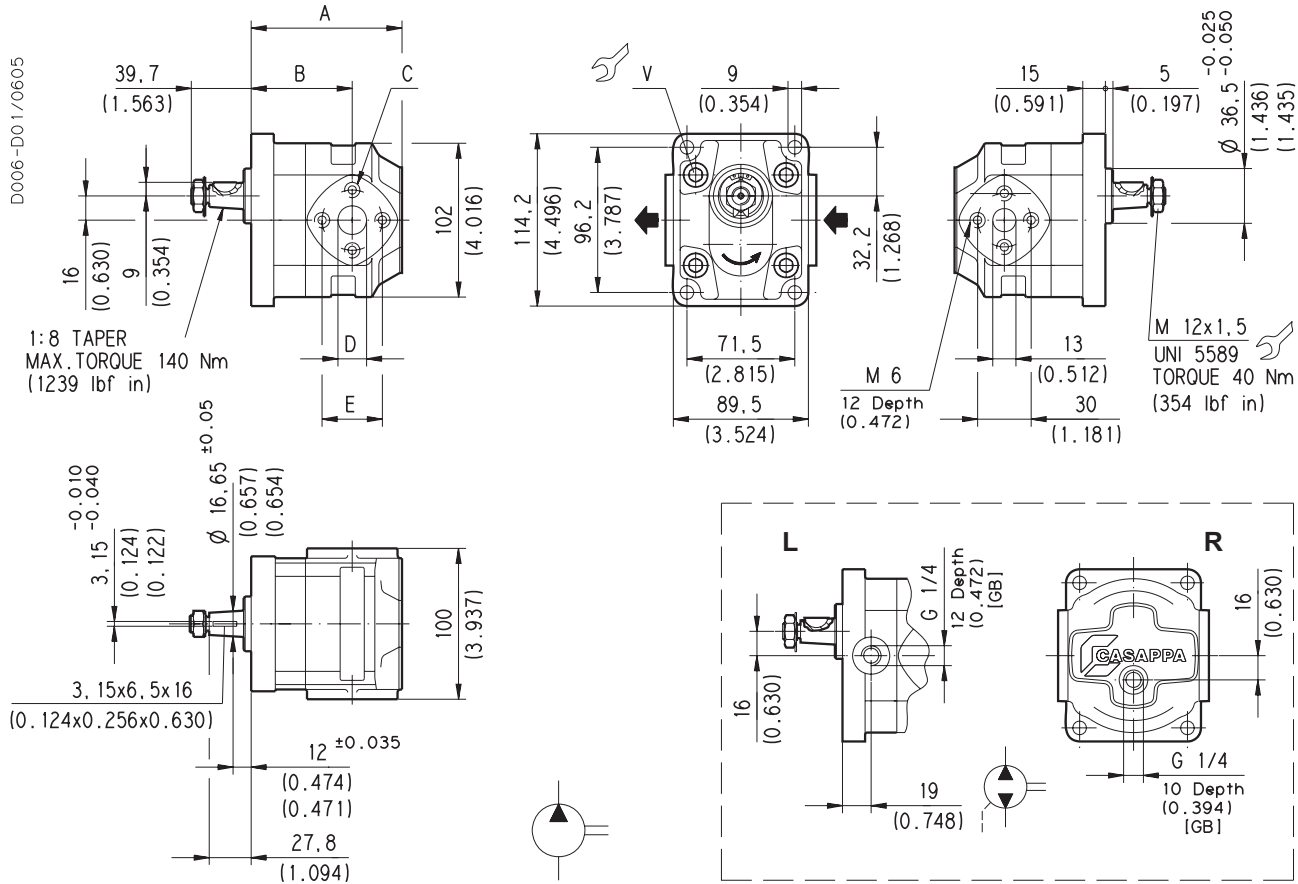


KAPPA 20

HYDRAULIC GEAR PUMPS EUROPEAN STANDARD

82 E2

EUROPEAN FLANGED PORTS - 4 Bolts
Metric thread ISO 60° conforms to ISO/R 262



V Screws tightening torque Nm (lbf in)

70 ±7 (558 ÷ 682)

Pump type		A	B	C	D	E
		mm (in)	mm (in)	mm (in)	mm (in)	mm (in)
KP 20-4	S D L R B	87,5 (3.445)	60 (2.362)	M 6 Depth 12 (0.472)	13 (0.512)	30 (1.181)
KP 20-6,3		90 (3.543)	62,5 (2.461)			
KP 20-8		92,5 (3.642)	65 (2.559)			
KP 20-11,2		96 (3.780)	68,5 (2.697)			
KP 20-14	S D L R B	100 (3.937)	67 (2.638)	M 8 Depth 14 (0.551)	19 (0.748)	40 (1.575)
KP 20-16		105,5 (4.154)	72,5 (2.854)			
KP 20-20		112 (4.409)	79 (3.110)			
KP 20-25		120 (4.724)	72 (2.835)			
KP 20-31,5		130 (5.118)	82 (3.228)			

Rotation: S=left - D=right - L=reversible side drain - R=reversible rear drain - B=reversible internal drain

How to order:

KP 20-4 S0-82 E2-L EA/EA-N

02/06.05