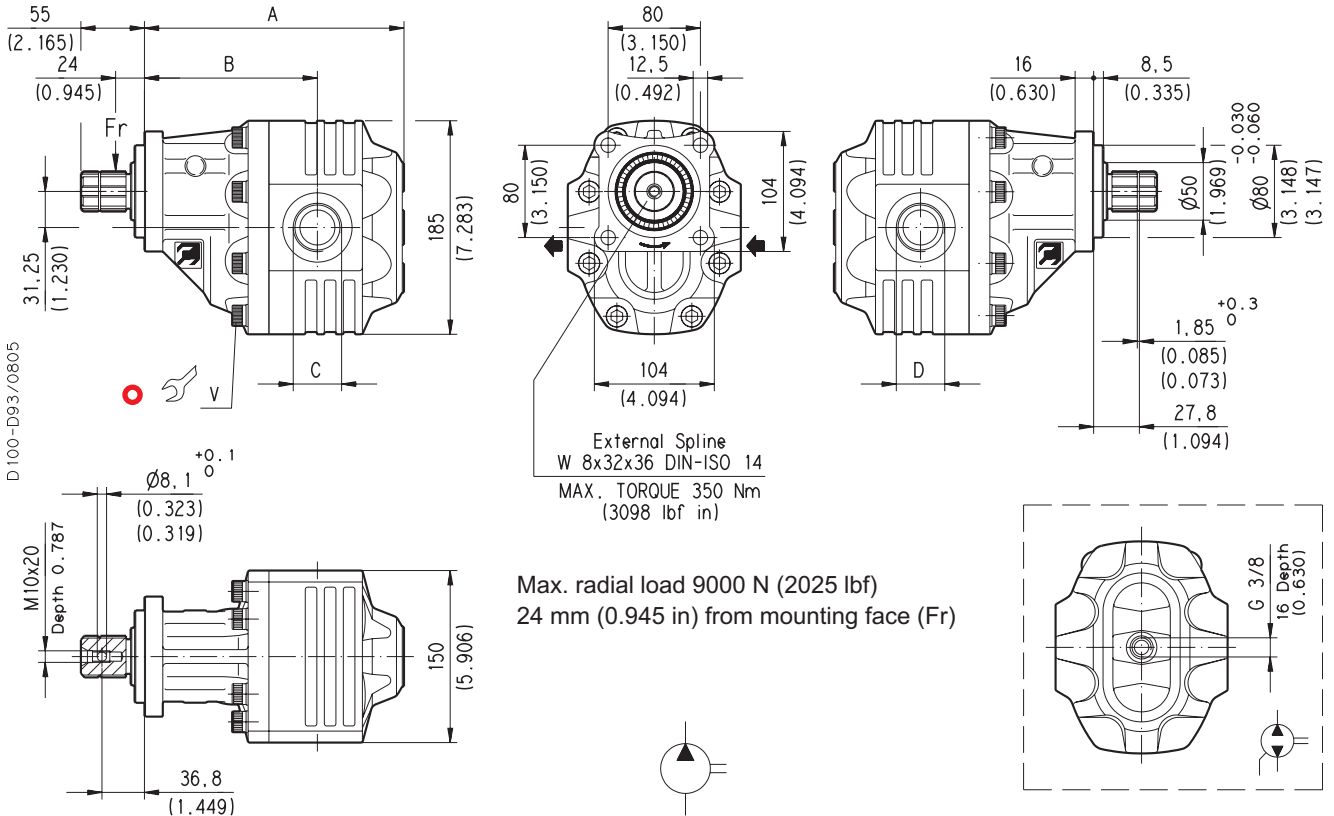


GAS STRAIGHT THREAD PORTS

British standard pipe parallel (55°) conforms to UNI - ISO 228



V Tightening torque Nm (lbf in)
100 ^{±10} (797 ÷ 974)

Pump type		A	B	C	D	Mass	
		mm (in)	mm (in)	IN	OUT	kg (lbs)	
FP 40•63	S D R B 0-16 Z0	L GF/GE-N	199 (7.835)	131 (5.157)	G 1	G 3/4	18,65 (41.12)
FP 40•73			203 (7.992)	135 (5.315)			19,30 (42.56)
FP 40•87		L GG/GF-N	208 (8.189)	140 (5.512)	G 1 1/4	G 1	19,75 (43.55)
FP 40•109			216 (8.504)	141 (5.551)			21 (46.31)
FP 40•133		L GH/GF-N	225 (8.858)	150 (5.906)	G 1 1/2	G 1	22,10 (48.73)
FP 40•151			231 (9.094)	156 (6.142)			22,90 (50.49)

Rotation: S=left - D=right - R=reversible - B=reversible internal drain

How to order:

FP 40•63 S0 - 16 Z0 - L GF/GE - N

01/08.05