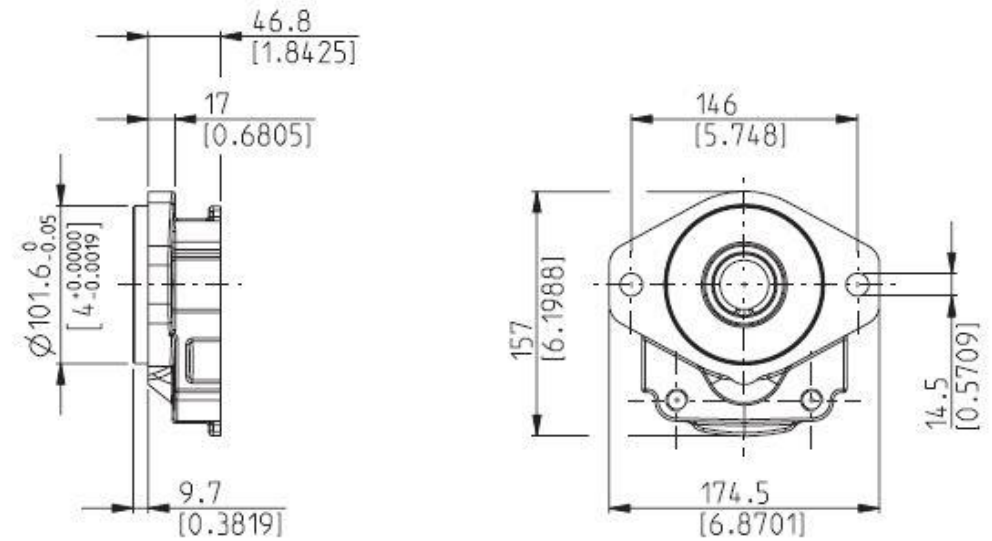


SAE "B" 2 HOLES

K9

Conforms to SAE J744

Pump type Motor type	Displacement in ³ /rev (cm ³ /rev)	Max. pressure			Max. speed min ⁻¹	Min. speed
		P ₁	P ₂	P ₃		
		psi (bar)				
K. 30•22	1.34 (21,99)	4060 (280)	4350 (300)	4495 (310)	3000	350
K. 30•27	1.63 (26,7)	4060 (280)	4350 (300)	4495 (310)	3000	350
K. 30•31	1.87 (30,63)	3770 (260)	4060 (280)	4350 (300)	3000	350
K. 30•34	2.11 (34,56)	3770 (260)	4060 (280)	4350 (300)	3000	350
K. 30•38	2.40 (39,27)	3770 (260)	4060 (280)	4350 (300)	3000	350
K. 30•41	2.54 (41,62)	3625 (250)	3915 (270)	4205 (290)	3000	350
K. 30•43	2.68 (43,98)	3625 (250)	3915 (270)	4205 (290)	3000	350
K. 30•46	2.83 (46,34)	3625 (250)	3915 (270)	4205 (290)	3000	350
K. 30•51	3.16 (51,83)	3335 (230)	3625 (250)	3915 (270)	2500	350
K. 30•56	3.45 (56,54)	3118 (215)	3408 (235)	3698 (255)	2500	350
K. 30•61	3.74 (61,26)	2900 (200)	3190 (220)	3480 (240)	2500	350
K. 30•73	4.50 (73,82)	2610 (180)	2900 (200)	3190 (220)	2500	350

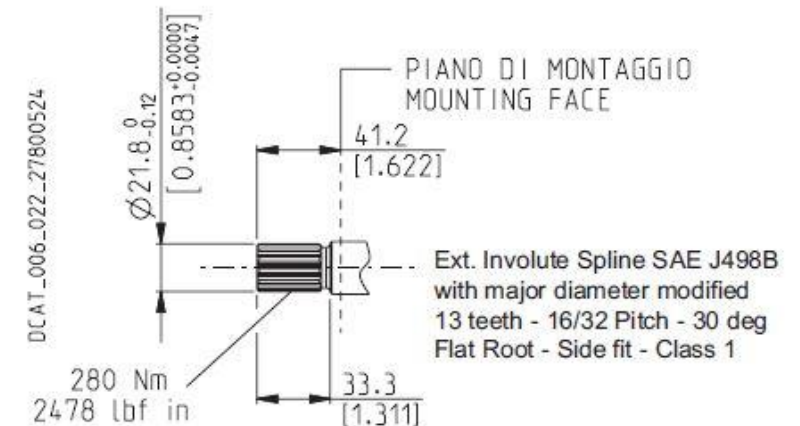


DCAT_006_015_23263614

SAE "B" SPLINE

A8

Mounting face refer to flange code K9



DCAT_006_022_27800524