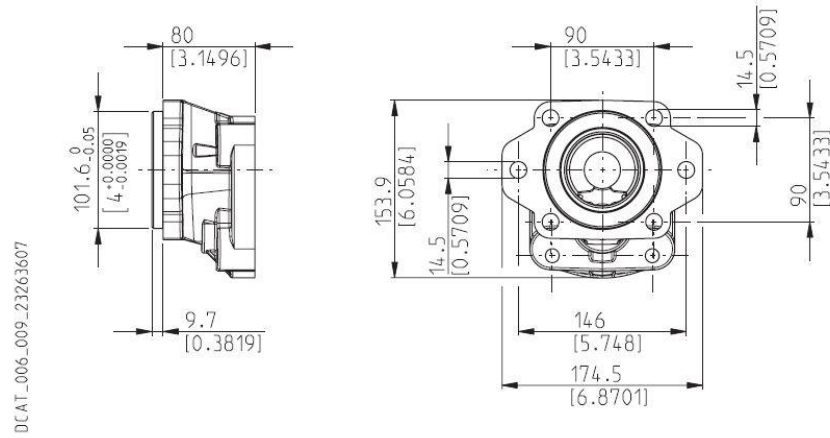


SAE "B" 2-4 HOLES

S3

Conforms to SAE J744



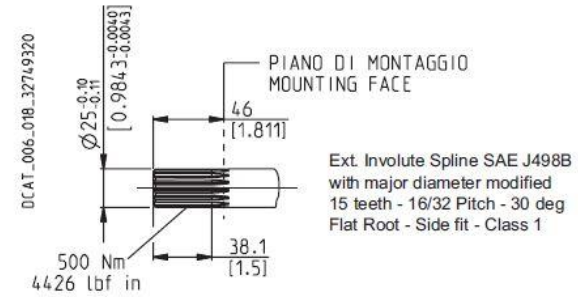
SAE "BB" SPLINE

05

Not available with size:

30-90

Mounting face refer to flange code **S5**



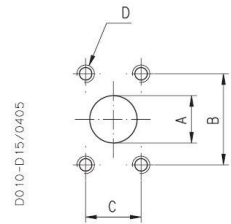
Pump type HDP Motor type HDM	Displacement in ³ /rev (cm ³ /rev)	Max. pressure			Max. speed	Min. speed
		p ₁	p ₂	p ₃		
HD. 30-17	1.05 (17,28)	4060 (280)	4350 (300)	4640 (320)	3000	400
HD. 30-22	1.34 (21,99)	4060 (280)	4350 (300)	4640 (320)	3000	400
HD. 30-24	1.47 (24,03)	4060 (280)	4350 (300)	4640 (320)	3000	400
HD. 30-27	1.63 (26,70)	4060 (280)	4350 (300)	4640 (320)	3000	400
HD. 30-34	2.11 (34,56)	3915 (270)	4205 (290)	4495 (310)	3000	400
HD. 30-38	2.40 (39,27)	3915 (270)	4205 (290)	4495 (310)	3000	400
HD. 30-43	2.68 (43,98)	3770 (260)	4060 (280)	4350 (300)	3000	400
HD. 30-51	3.16 (51,83)	3335 (230)	3770 (260)	4060 (280)	2500	300
HD. 30-56	3.45 (56,55)	3118 (215)	3553 (245)	3843 (265)	2500	300
HD. 30-61	3.74 (61,26)	2900 (200)	3335 (230)	3625 (250)	2000	250
HD. 30-73	4.50 (73,82)	2755 (190)	3045 (210)	3335 (230)	1700	250
HD. 30-82	4.98 (81,68)	2465 (170)	2755 (190)	3045 (210)	1500	250

SAE FLANGED PORTS J518 - Standard pressure series 3000 PSI

SSM

Metric thread ISO 60° conforms to ISO/R 262

CODE	A	B	C	D		
	mm (in)	mm (in)	mm (in)	Thread Depth mm (in)	Nm (lbf in)	Nm (lbf in)
MB	19 (0.7480)	47,6 (1.8740)	22,2 (0.8740)	M 10 22 (0.8661)	20 ⁺¹ (177 + 186)	35 ^{+2,5} (310 + 332)
MC	24,5 (0.9646)	52,4 (2.0630)	26,2 (1.0315)	M 10 22 (0.8661)	20 ⁺¹ (177 + 186)	35 ^{+2,5} (310 + 332)
MD	30,5 (1.2008)	58,7 (2.3110)	30,2 (1.1890)	M 10 22 (0.8661)	20 ⁺¹ (177 + 186)	35 ^{+2,5} (310 + 332)
ME	39,3 (1.5472)	69,8 (2.7480)	35,7 (1.4055)	M 12 27 (1.0630)	30 ^{+2,5} (266 + 288)	65 ⁺⁵ (575 + 620)
MF	51 (2.0079)	77,8 (3.0630)	42,9 (1.6890)	M 12 27 (1.0630)	30 ^{+2,5} (266 + 288)	—

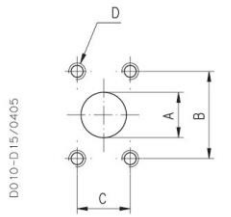


SAE FLANGED PORTS J518 - Standard pressure series 3000 PSI

SSS

American straight thread UNC-UNF 60° conforms to ANSI B 1.1

CODE	A	B	C	D		
	mm (in)	mm (in)	mm (in)	Thread Depth mm (in)	Nm (lbf in)	Nm (lbf in)
SB	19 (0.7480)	47,6 (1.8740)	22,2 (0.8740)	3/8 - 16 UNC-2B 22 (0.8661)	20 ⁺¹ (177 + 186)	30 ^{+2,5} (266 + 288)
SC	24,5 (0.9646)	52,4 (2.0630)	26,2 (1.0315)	3/8 - 16 UNC-2B 22 (0.8661)	20 ⁺¹ (177 + 186)	30 ^{+2,5} (266 + 288)
SD	30,5 (1.2008)	58,7 (2.3110)	30,2 (1.1890)	7/16 - 14 UNC-2B 28,5 (1.1220) 7/16 - 14 UNC-2B 27 (1.0630) (◆)	25 ⁺¹ (221 + 230)	55 ⁺⁵ (487 + 531)
SE	39,3 (1.5472)	69,8 (2.7480)	35,7 (1.4055)	1/2 - 13 UNC-2B 27 (1.0630)	30 ^{+2,5} (266 + 288)	70 ⁺⁵ (620 + 664)
SF	51 (2.0079)	77,8 (3.0630)	42,9 (1.6890)	1/2 - 13 UNC-2B 27 (1.0630)	30 ^{+2,5} (266 + 288)	—



(◆) For MAGNUM 35