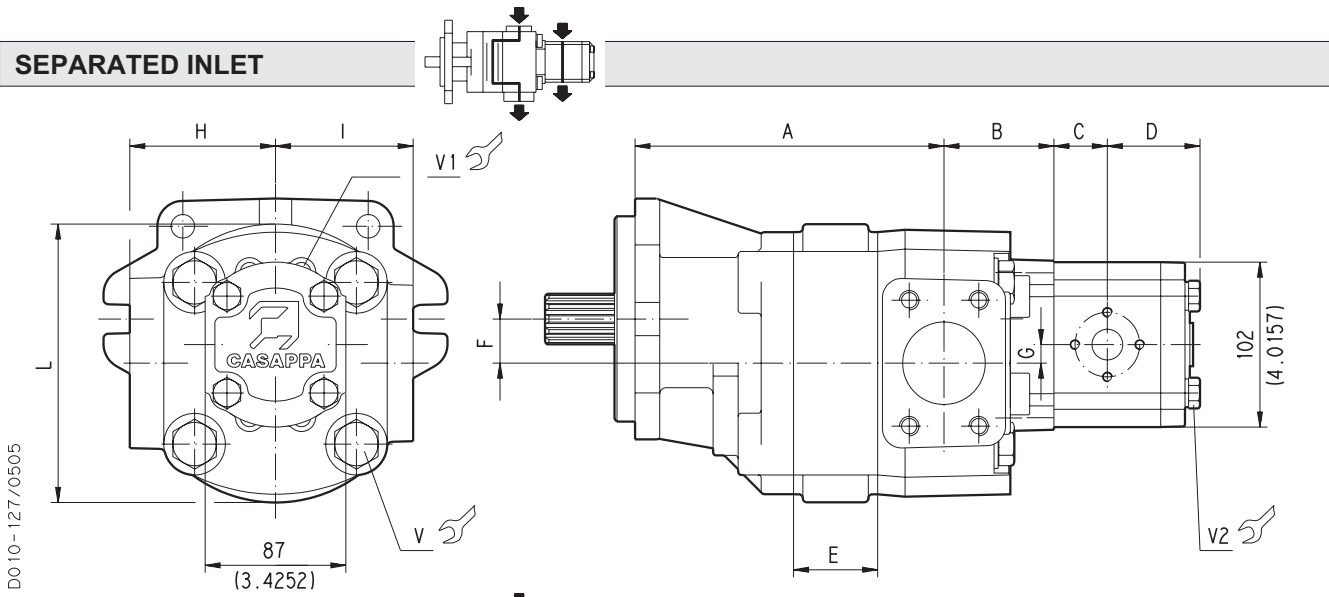
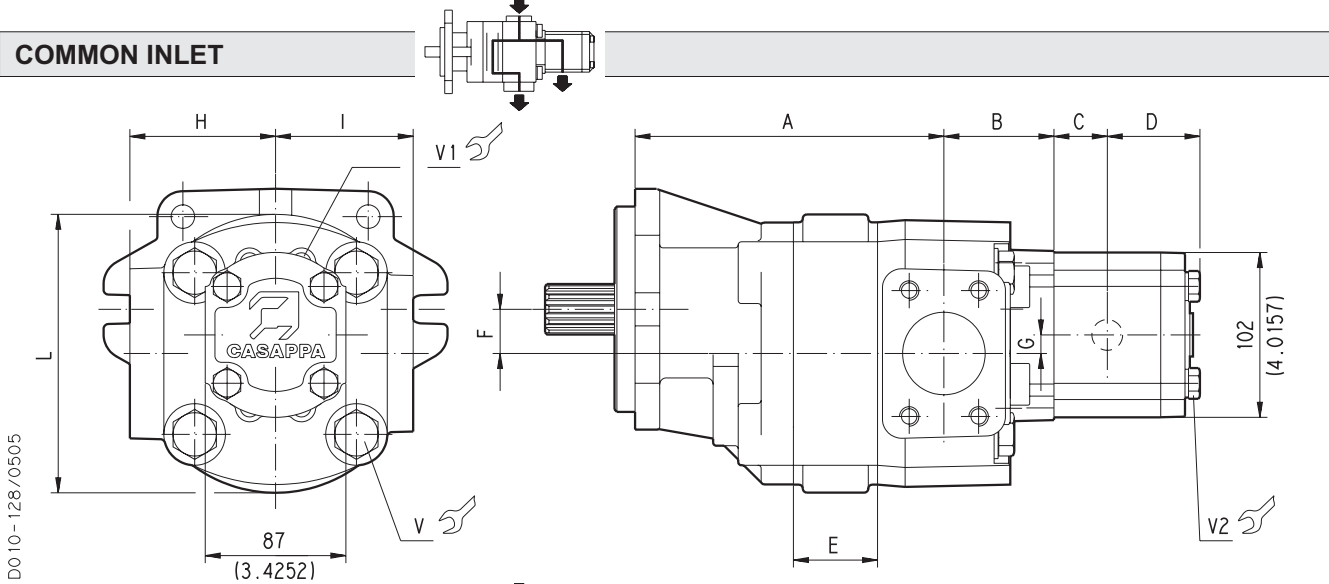


**DOUBLE PUMPS HDP.. / PLP 20 STANDARD VERSION**

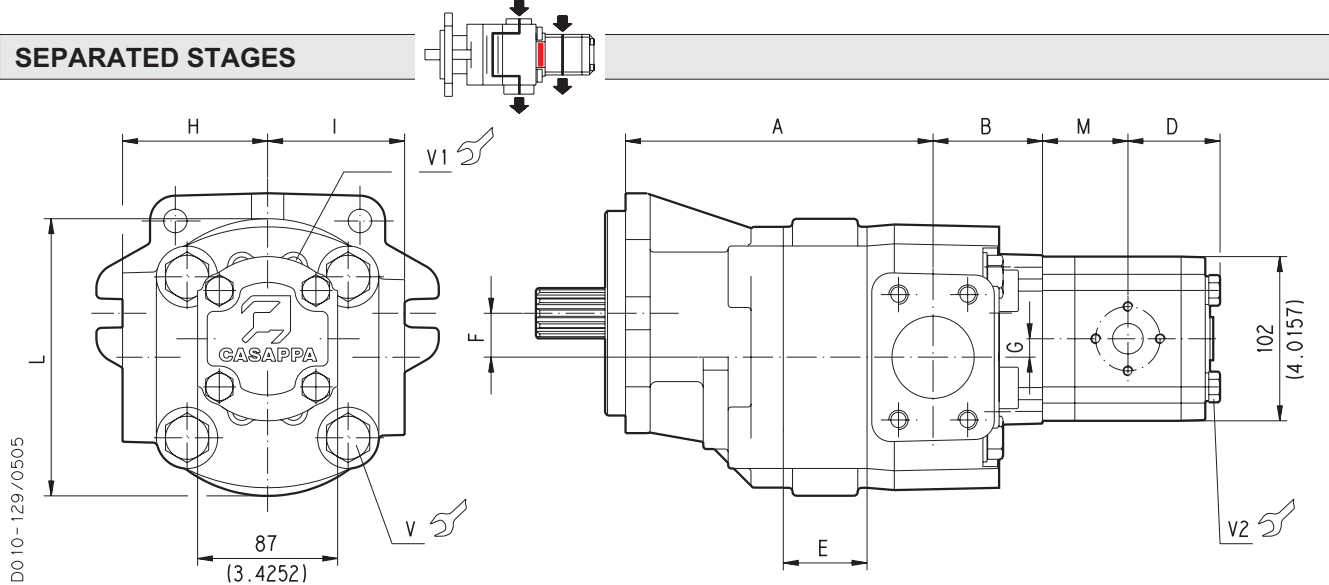
**SEPARATED INLET**



**COMMON INLET**



**SEPARATED STAGES**



01/07.05

**DOUBLE PUMPS HDP.. / PLP 20 STANDARD VERSION**

Tightening torque Nm (lbf in)		
V	V1	V2
280 $\pm 28$ (2230 ÷ 2726)	25 $\pm 2,5$ (199 ÷ 243)	70 $\pm 7$ (558 ÷ 682)

Drawings show pumps with left rotation.

Pump type	A	B	F	G	H (IN)	I (OUT)	L
	mm (inch)	mm (inch)	mm (inch)	mm (inch)	mm (inch)	mm (inch)	mm (inch)
<b>HDP35/PLP20</b>	139+E (5.4724+E)	68 (2.6772)	27,35 (1.0807)	11,27 (0.4437)	90 (3.5433)	85 (3.3465)	172 (6.7717)
<b>HDP30/PLP20</b>	115+E (4.5276+E)	62 (2.4409)	23,45 (0.9232)	7,45 (0.2933)	80 (3.1496)	75 (2.9528)	150 (5.9055)

Pump type	E
	mm (inch)
<b>HDP 35•40</b>	33 (1.2992)
<b>HDP 35•50</b>	38 (1.4961)
<b>HDP 35•63</b>	44 (1.7323)
<b>HDP 35•71</b>	48 (1.8898)
<b>HDP 35•80</b>	52 (2.0472)
<b>HDP 35•90</b>	57 (2.2441)
<b>HDP 35•100</b>	61 (2.4016)
<b>HDP 35•112</b>	67 (2.6378)
<b>HDP 35•125</b>	73 (2.8740)

Pump type	E
	mm (inch)
<b>HDP 30•17</b>	23 (0.9055)
<b>HDP 30•22</b>	26 (1.0236)
<b>HDP 30•24</b>	27,3 (1.0748)
<b>HDP 30•27</b>	29 (1.1417)
<b>HDP 30•34</b>	34 (1.3386)
<b>HDP 30•38</b>	37 (1.4567)
<b>HDP 30•43</b>	40 (1.5748)
<b>HD. 30•51</b>	45 (1.7717)
<b>HDP 30•56</b>	48 (1.8898)
<b>HDP 30•61</b>	51 (2.0079)
<b>HDP 30•73</b>	59 (2.3228)
<b>HDP 30•82</b>	64 (2.5197)

DRIVE SHAFTS:  
see page 45

MOUNTING FLANGE:  
see page 46 ÷ 48

PORTS:  
see page 49

Pump type	C	D	M
	mm (inch)	mm (inch)	mm (inch)
<b>PLP 20•4</b>	25,75 (1.0138)	49,25 (1.9390)	42,75 (1.6831)
<b>PLP 20•6,3</b>	27 (1.0630)	50,5 (1.9882)	44 (1.7323)
<b>PLP 20•7,2</b>	27,5 (1.0826)	51 (2.0079)	44,5 (1.7520)
<b>PLP 20•8</b>	28,25 (1.1122)	51,75 (2.0374)	45,25 (1.7815)
<b>PLP 20•9</b>	28,9 (1.1378)	52,4 (2.0630)	45,9 (1.8071)
<b>PLP 20•10,5</b>	30,25 (1.1909)	53,75 (2.1161)	47,25 (1.8602)
<b>PLP 20•11,2</b>	30,5 (1.2008)	54 (2.1260)	47,5 (1.8701)
<b>PLP 20•14</b>	33 (1.2992)	56,5 (2.2244)	50 (1.9685)
<b>PLP 20•16</b>	34,75 (1.3681)	58,25 (2.2933)	51,75 (2.0374)
<b>PLP 20•19</b>	36,45 (1.4350)	59,95 (2.3602)	53,45 (2.1043)
<b>PLP 20•20</b>	38 (1.4961)	61,5 (2.4213)	55 (2.1654)
<b>PLP 20•24,5</b>	40,8 (1.6063)	64,3 (2.5315)	57,8 (2.2756)
<b>PLP 20•25</b>	42 (1.6535)	65,5 (2.5787)	59 (2.3228)
<b>PLP 20•27,5</b>	43,35 (1.7067)	66,85 (2.6319)	60,35 (2.3760)
<b>PLP 20•31,5</b>	47 (1.8504)	70,5 (2.7756)	64 (2.5197)

01/07.05