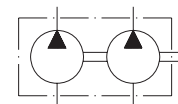
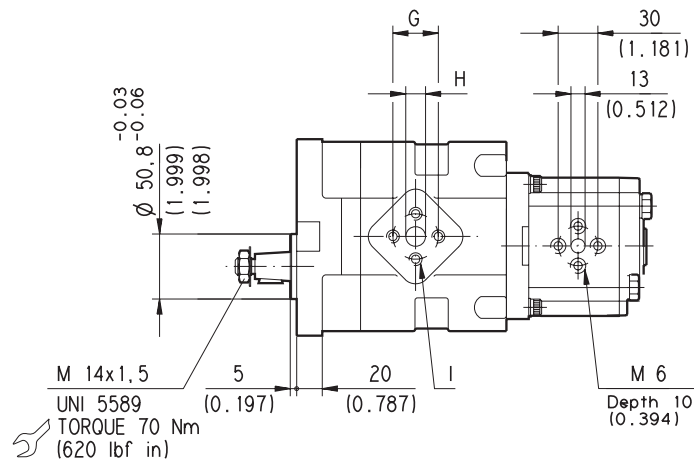
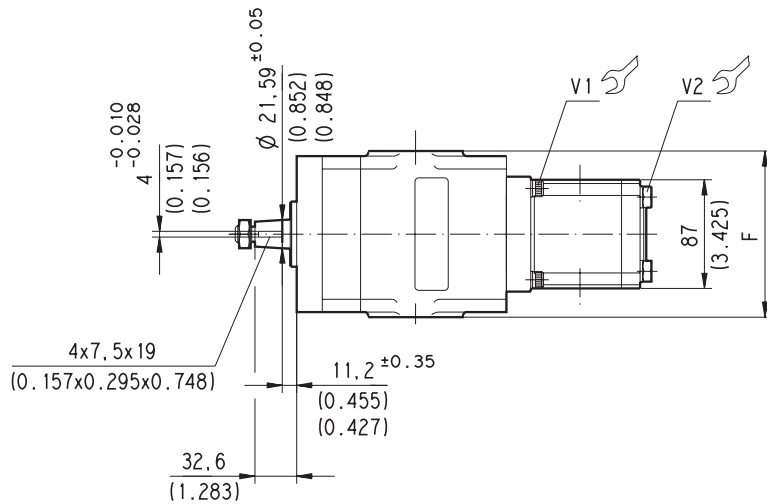
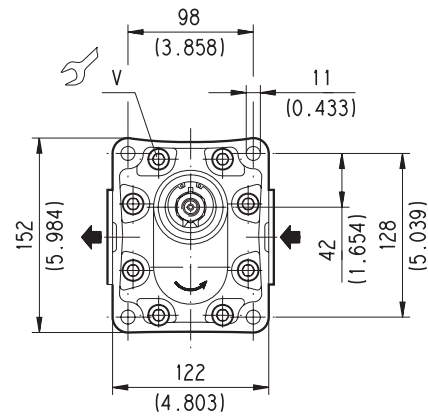
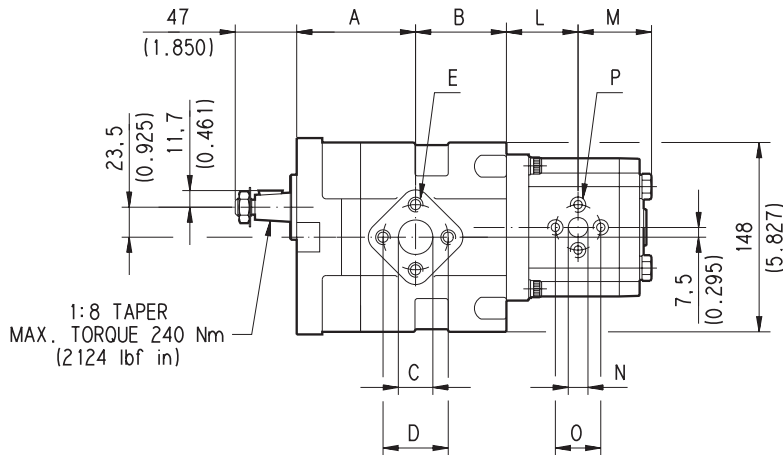


HYDRAULIC GEAR PUMPS EUROPEAN STANDARD

83 E3+PL20

EUROPEAN FLANGED PORTS - 4 Bolts
Metric thread ISO 60° conforms to ISO/R 262



Screws tightening torque Nm (lbf in)		
V	V1	V2
70 ±7 (558 ÷ 682)	70 ±7 (558 ÷ 682)	70 ±7 (558 ÷ 682)

D006-D19/0605

02/06.05

KAPPA 30
HYDRAULIC GEAR PUMPS EUROPEAN STANDARD
83 E3+PL20

Pump type	A	B	C	D	E	F	G	H	I
	mm (in)	mm (in)	mm (in)	mm (in)	mm (in)	mm (in)	mm (in)	mm (in)	mm (in)
KP 30•27	85 (3.346)	63 (2.480)	27 (1.063)	51 (2.008)	M 10 Depth 17 (0.669)	130 (5.118)	40 (1.575)	19 (0.748)	M 8 Depth 17 (0.669)
KP 30•34	90 (3.543)								
KP 30•38	93 (3.661)								
KP 30•43	96 (3.780)								
KP 30•51	93 (3.661)	71 (2.795)	33 (1.299)	62 (2.441)	M 12 Depth 17 (0.669)	135 (5.315)	51 (2.008)	27 (1.063)	M 10 Depth 17 (0.669)
KP 30•56	97 (3.819)	70 (2.756)							
KP 30•61	100 (3.937)								
KP 30•73	108 (4.252)								

Pump type	L	M	N	O	P
	mm (in)	mm (in)	mm (in)	mm (in)	mm (in)
PLP 20•4	43,8 (1.722)	49,3 (1.941)	13 (0.512)	30 (1.181)	M 6 Depth 13 (0.512)
PLP 20•6,3	45 (1.772)	50,5 (1.988)			
PLP 20•7,2	45,5 (1.791)	51 (2.008)			
PLP 20•8	46,3 (1.821)	51,8 (2.039)			
PLP 20•9	46,9 (1.846)	52,4 (2.063)			
PLP 20•10,5	48,3 (1.900)	53,8 (2.118)			
PLP 20•11,2	48,5 (1.909)	54 (2.126)			
PLP 20•14	51 (2.008)	56,5 (2.224)	19 (0.748)	40 (1.575)	M 8 Depth 14 (0.551)
PLP 20•16	52,8 (2.077)	58,3 (2.295)			
PLP 20•19	54,5 (2.146)	60 (2.553)			
PLP 20•20	56 (2.205)	61,5 (2.421)			
PLP 20•24,5	58,8 (2.315)	64,3 (2.531)			
PLP 20•25	60 (2.362)	65,5 (2.579)			
PLP 20•27,5	61,4 (2.417)	66,9 (2.634)			
PLP 20•31,5	65 (2.559)	70,5 (2.776)			

How to order a double pump

Front pump	-	/	Rear pump		Rotation (1)	-	Seals (2)
------------	---	---	-----------	--	--------------	---	-----------

KP30•27 - 67 / PLP20•4 S -

(1) Rotation: S= Left - D= Right

(2) For Buna N seals no code

ORDER EXAMPLE

Double pump

KP30•27-67/PLP20•4 S/S

02/06.05