

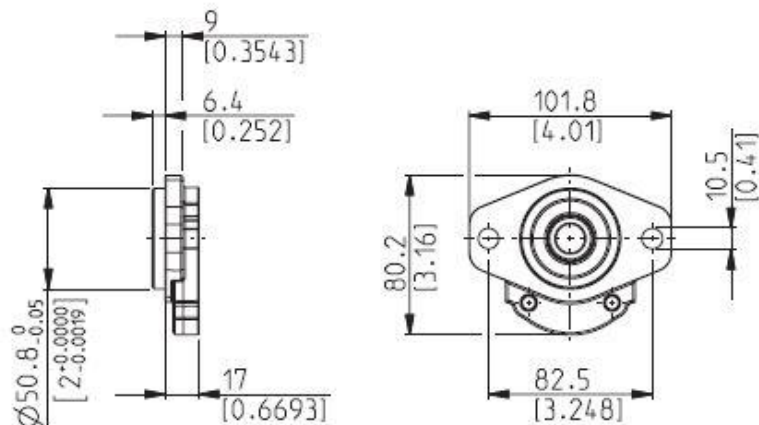
# SAE "A-A" 2 BOLTS

S0

Material: cast iron and aluminium



DCAT\_033\_053\_21664000



Series	Pump type PLP Motor type PLM	Displacement in <sup>3</sup> /rev (cm <sup>3</sup> /rev)	Max. pressure			Max. speed	Min. speed
			p <sub>1</sub>	p <sub>2</sub>	p <sub>3</sub>		
			psi (bar)			min <sup>-1</sup>	
POLARIS 10	PL. 10•1	0.07 (1,07)	3770 (260)	4060 (280)	4205 (290)	4000	650
	PL. 10•1,5	0.10 (1,60)	3770 (260)	4060 (280)	4205 (290)	4000	650
	PL. 10•2	0.13 (2,13)	3770 (260)	4060 (280)	4205 (290)	4000	650
	PL. 10•2,5	0.16 (2,67)	3770 (260)	4060 (280)	4205 (290)	4000	650
	PL. 10•3,15	0.20 (3,34)	3770 (260)	4060 (280)	4205 (290)	4000	650
	PL. 10•4	0.26 (4,27)	3625 (250)	3915 (270)	4060 (280)	4000	650
	PL. 10•5	0.33 (5,34)	3625 (250)	3915 (270)	4060 (280)	4000	650
	PL. 10•5,8	0.38 (6,20)	3335 (230)	3625 (250)	3770 (260)	3500	650
	PL. 10•6,3	0.41 (6,67)	3335 (230)	3625 (250)	3770 (260)	3500	650
	PL. 10•8	0.52 (8,51)	2610 (180)	2900 (200)	3045 (210)	3500	650
	PL. 10•10	0.65 (10,67)	2030 (140)	2320 (160)	2465 (170)	3500	650

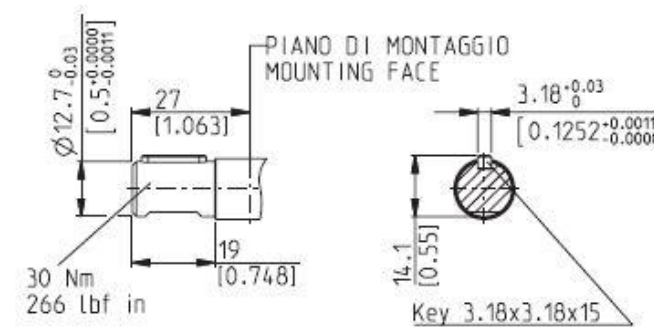
# SAE "AA" STRAIGHT

30

Not available with size:

10•1,5 - 10•2,5 - 10•5,8	With flange: E7, B1, K2, R8, R9
10•2,5 - 10•5,8	With flange: S0

Mounting face refer to flange code S0



DCAT\_033\_045