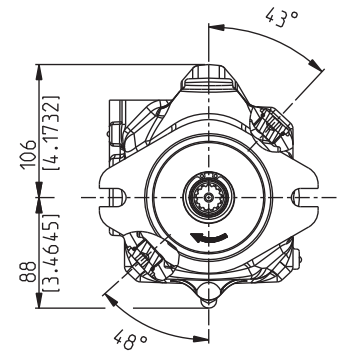
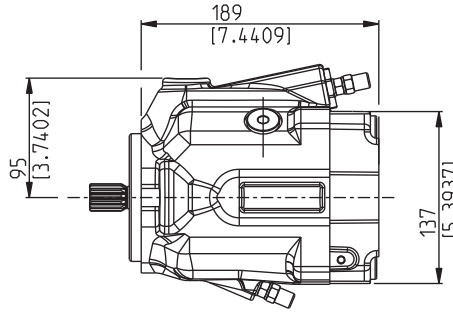
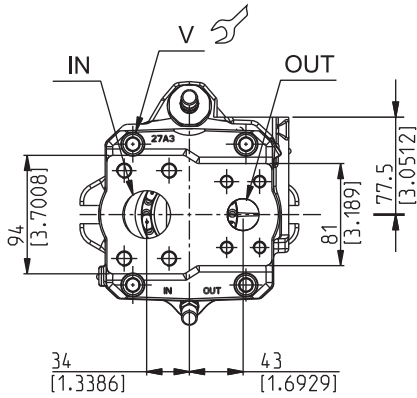


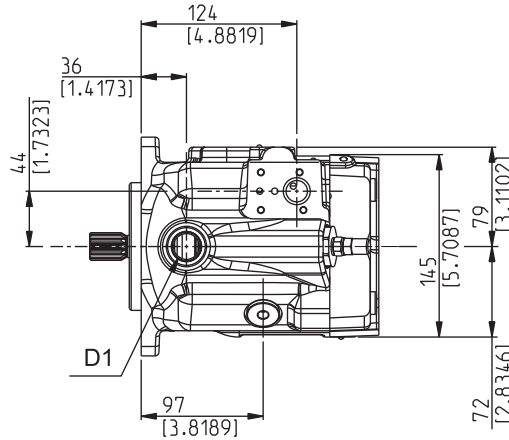
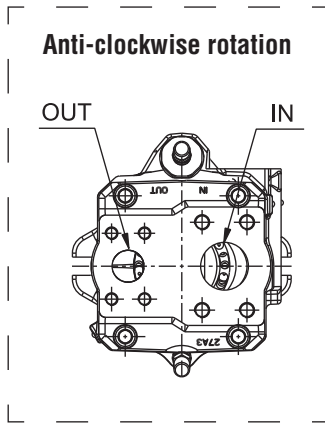
MVP48

REAR PORTS - DIMENSIONS

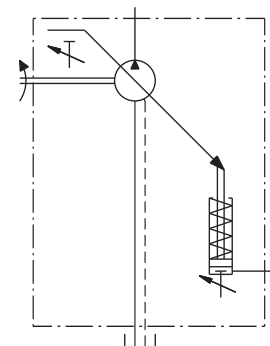
P



DCAT_048_031



Drive shafts: page 26
Mounting flanges: page 26



03/06.2011

Screws tightening torque Nm (lbf in)

V
100 ±10 (797 ÷ 974)

Ports (Nominal size)

IN	OUT	D1
1" 1/2	1"	Drain port

Dimensions at page 32