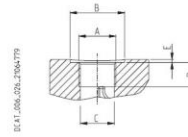
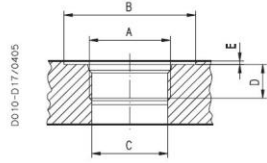


American straight thread UNC-UNF 60° conforms to ANSI B 1.1

British standard pipe parallel (55°) conforms to UNI - ISO 228



CODE	Nominal size	A	Ø B	Ø C	D	E	Nm (lbf in)	Nm (lbf in)
			mm (in)	mm (in)	mm (in)	mm (in)		
OD	3/4"	1 1/16" - 12 UNF - 2B	42 (1.6535)	24.8 (0.9764)	20 (0.7874)	0.5 (0.0197)	40 ^{+2.5} (354 ÷ 376)	120 ⁺¹⁰ (1062 ÷ 1151)
OF	1"	1 5/16" - 12 UNF - 2B	50 (1.9685) 45 (◆) (1.7717)	30.5 (1.2008)	20 (0.7874)	0.5 (0.0197)	60 ⁺⁵ (531 ÷ 575)	170 ⁺¹⁰ (1505 ÷ 1593)
OG	1" 1/4	1 5/8" - 12 UNF - 2B	60 (2.3622) 58 (◆) (2.2835)	39.1 (1.5394)	20 (0.7874)	0.5 (0.0197)	70 ⁺⁵ (620 ÷ 664)	200 ⁺¹⁰ (1770 ÷ 1859)
OH	1" 1/2	1 7/8" - 12 UNF - 2B	65 (2.5591)	45.2 (1.7795)	20 (0.7874)	0.5 (0.0197)	100 ⁺⁵ (885 ÷ 929)	—

(◆) = For MAGNUM 35

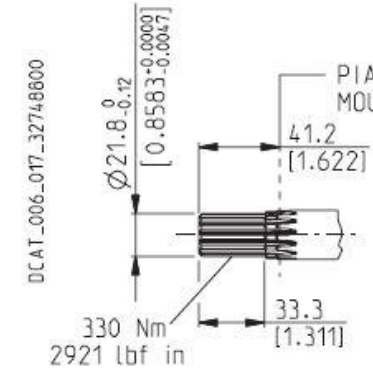
CODE	Nominal size	A	Ø B	Ø C	D	E	Nm (lbf in)	Nm (lbf in)
			mm (in)	mm (in)	mm (in)	mm (in)		
GC (◆)	3/8"	G 3/8	25 (0.9843)	15 (0.5906)	14 (0.5512)	4 (0.1575)	15 ⁺¹ (133 ÷ 142)	—
GE	3/4"	G 3/4	—	24.5 (0.9646)	22 (0.8661)	—	30 ^{+2.5} (266 ÷ 288)	90 ⁺⁵ (797 ÷ 841)
GF	1"	G 1	—	30.5 (1.2008)	25 (0.9843)	—	50 ^{+2.5} (443 ÷ 465)	130 ⁺¹⁰ (1151 ÷ 1239)
GG	1" 1/4	G 1 1/4	—	39 (1.5354)	26 (1.0236)	—	60 ⁺⁵ (531 ÷ 575)	170 ⁺¹⁰ (1505 ÷ 1593)
GH	1" 1/2	G 1 1/2	—	45 (1.5354)	28 (1.1024)	—	70 ⁺⁵ (620 ÷ 664)	210 ⁺¹⁰ (1859 ÷ 1947)
GL	2"	G 2	—	57 (2.2441)	32 (1.2598)	—	150 ⁺¹⁰ (1328 ÷ 1416)	—

(◆) = Drain port

Pump type HDP Motor type HDM	Displacement in ³ /rev (cm ³ /rev)	Max. pressure			Max. speed	Min. speed
		p ₁	p ₂	p ₃		
		psi (bar)			min ⁻¹	
HD. 30-17	1.05 (17.28)	4060 (280)	4350 (300)	4640 (320)	3000	400
HD. 30-22	1.34 (21.99)	4060 (280)	4350 (300)	4640 (320)	3000	400
HD. 30-24	1.47 (24.03)	4060 (280)	4350 (300)	4640 (320)	3000	400
HD. 30-27	1.63 (26.70)	4060 (280)	4350 (300)	4640 (320)	3000	400
HD. 30-34	2.11 (34.56)	3915 (270)	4205 (290)	4495 (310)	3000	400
HD. 30-38	2.40 (39.27)	3915 (270)	4205 (290)	4495 (310)	3000	400
HD. 30-43	2.68 (43.98)	3770 (260)	4060 (280)	4350 (300)	3000	400
HD. 30-51	3.16 (51.83)	3335 (230)	3770 (260)	4060 (280)	2500	300
HD. 30-56	3.45 (56.55)	3118 (215)	3553 (245)	3843 (265)	2500	300
HD. 30-61	3.74 (61.26)	2900 (200)	3335 (230)	3625 (250)	2000	250
HD. 30-73	4.50 (73.82)	2755 (190)	3045 (210)	3335 (230)	1700	250
HD. 30-82	4.98 (81.68)	2465 (170)	2755 (190)	3045 (210)	1500	250

SAE "B" SPLINE

Mounting face refer to flange code S5



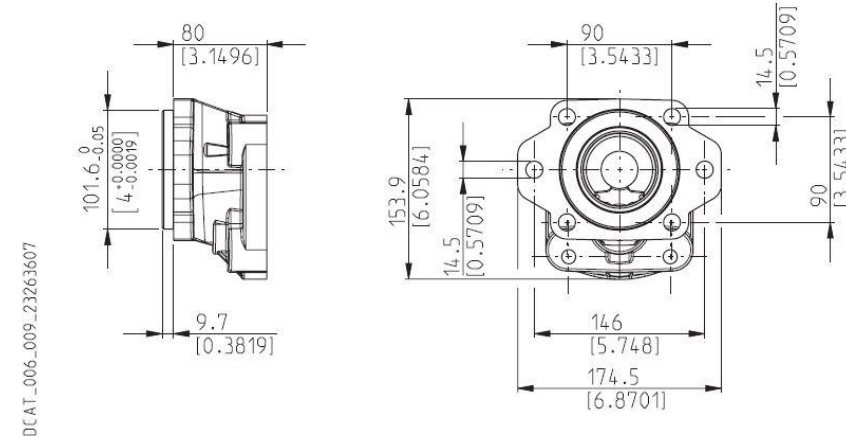
PIANO DI MONTAGGIO
MOUNTING FACE

Ext. Involute Spline SAE J498B
with major diameter modified
13 teeth - 16/32 Pitch - 30 deg
Flat Root - Side fit - Class 1

SAE "B" 2-4 HOLES

S3

Conforms to SAE J744



DCAT_006_009_23263607