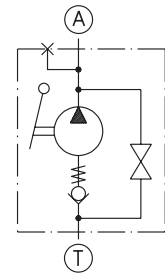
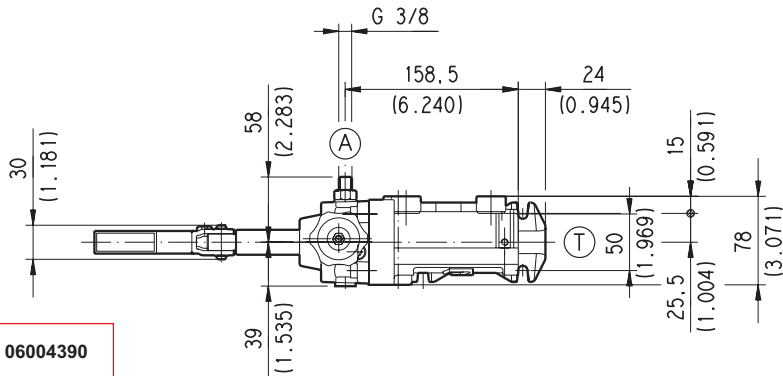
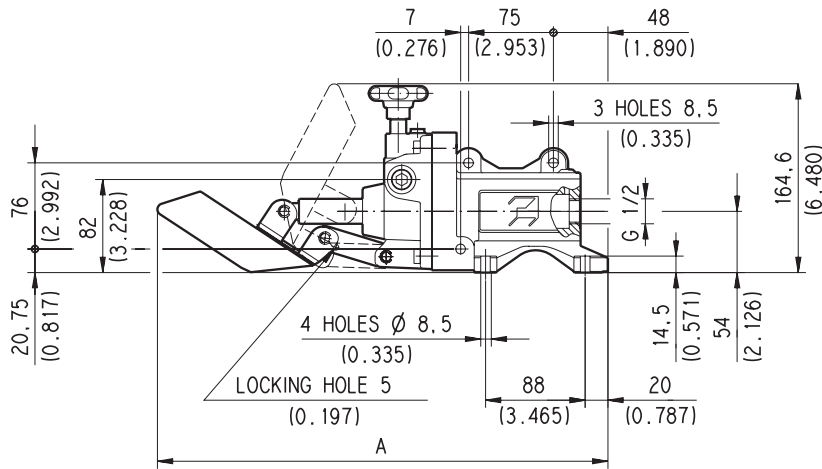


EP.. S/T0A - EP.. S V1/T0A

HAND PUMP WITHOUT RESERVOIR WITH BUILT-IN SHUT-OFF VALVE

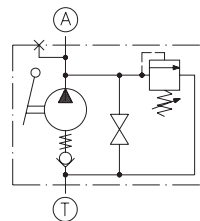


Requires the lever code 06004390

How to order	Displacement	Max. pressure	A	Weight
	[cm ³ /cycle]	[bar]	mm (in)	[kg]
EP 12 S/T0A	12	315	375 (14.764)	4,70
EP 25 S/T0A	25	250	385 (15.157)	4,70
EP 45 S/T0A	45	220	393 (15.472)	5,00

Hand pump with relief valve built-in - V1 standard setting 140 [bar]

How to order	Relief valve setting	
EP 12 S V1/T0A		
EP 25 S V1/T0A		70-315 [bar]
EP 45 S V1/T0A		V3 (... [bar]) max. 315 [bar]
V1		
V2		
V3(...)	On request relief valve setting	



Replaces: 01/02.2000

02/11.2000