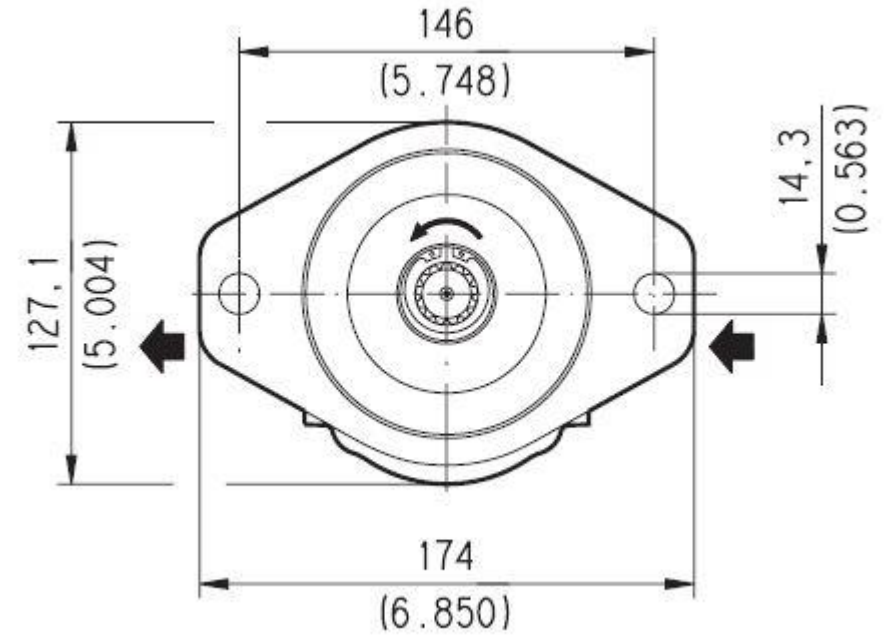


Pump type	Displacement	Max. pressure			Max. speed	Min. speed
		P ₁	P ₂	P ₃		
	in ³ /rev (cm ³ /rev)	psi (bar)			min ⁻¹	
KP 20•4	0.30 (4,95)	4133 (285)	4350 (300)	4785 (330)	4000	350
KP 20•6,3	0.40 (6,61)	4133 (285)	4350 (300)	4785 (330)	4000	350
KP 20•8	0.50 (8,26)	4133 (285)	4350 (300)	4785 (330)	3500	350
KP 20•11,2	0.69 (11,23)	3988 (275)	4205 (290)	4640 (320)	3500	350
KP 20•14	0.89 (14,53)	3843 (265)	4205 (290)	4640 (320)	3500	350
KP 20•16	1.03 (16,85)	3770 (260)	4205 (290)	4640 (320)	3000	300
KP 20•20	1.29 (21,14)	3045 (210)	3335 (230)	3625 (250)	3000	300
KP 20•25	1.61 (26,42)	2610 (180)	2900 (200)	3190 (220)	2500	300
KP 20•31,5	2.01 (33,03)	2030 (140)	2320 (160)	2610 (180)	2000	300



SAE "B" SPLINE

04

Mounting face refer to flange code S5

